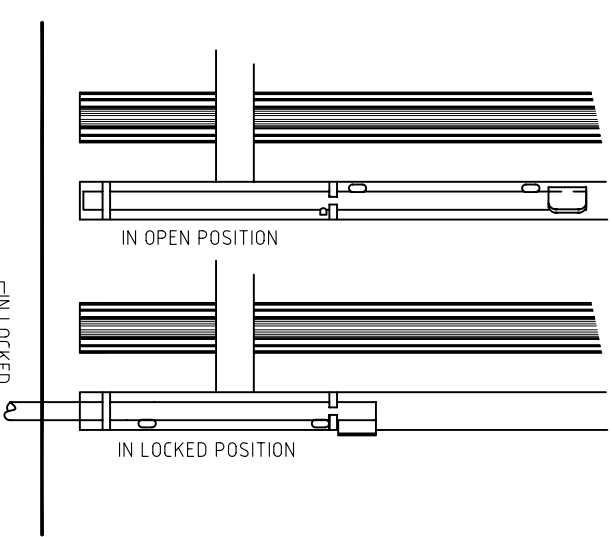
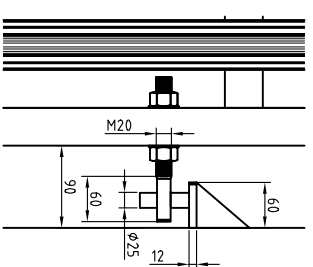
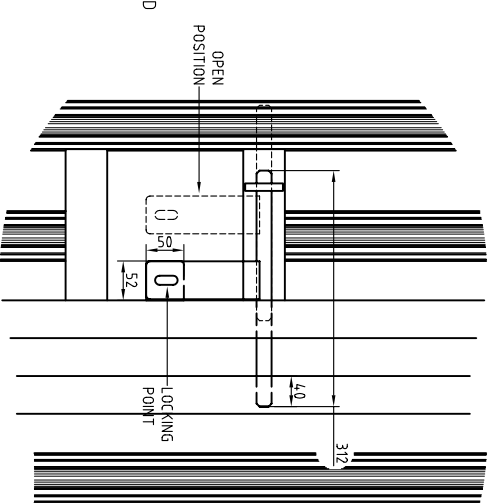
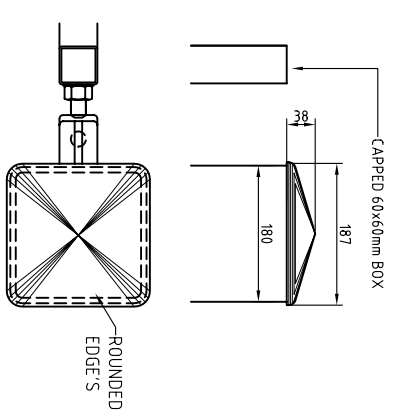


NOTE: OPTIONAL PALE TYPES AVAILABLE. See *fencing Drawings Details*



Drawing Title: Typical JNC Pal Gate H2.4: W7.0M
FOR INFORMATION ONLY

Project/ Client: SAMPLE DRAWING

Drawing/Doc No: Ref. No. -PG17

Date: 05/11/02 By: D.D.S. App: JNC FENCING

J.N. CUMMINS & CO.LTD
Industrial Fencing Contractors
Supply / Supply and Erection

Mayfield, Cashel, Co Tipperary
Tel: 00353 62 62214 Fax: 00353 62 62947
e-Mail: info@jncfence.com
www.jncfence.com