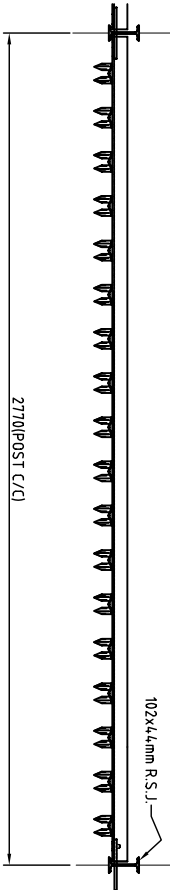
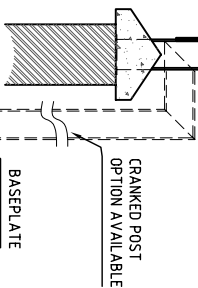


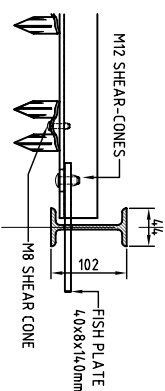
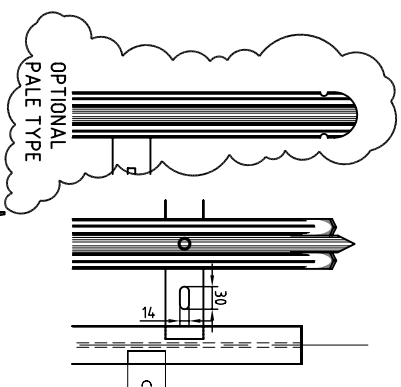
FRONT ELEVATION
scale 1/25



SIDE VIEW
scale 1/25



RAIL VIEWS
scale 1/10



PANEL TO POST
scale 1/10

Drawing Title: JNC Batted Pal Fence : H - 1.8M
FOR INFORMATION ONLY

Project / Client: SAMPLE DRAWING

Drawing/Doc No: JNC/GP/B01/18

Date: 04/11/02 By: D.D.S. App: JNC FENCING



J.N.CUMMINS & Co.LTD
Industrial Fencing Contractors
Supply / Supply and Erection
Mayfield, Cashel, Co Tipperary
Tel: 00353 62 62214 Fax: 00353 62 62947
e-Mail: info@jncfence.com
www.jncfence.com

PLAN
scale 1/25