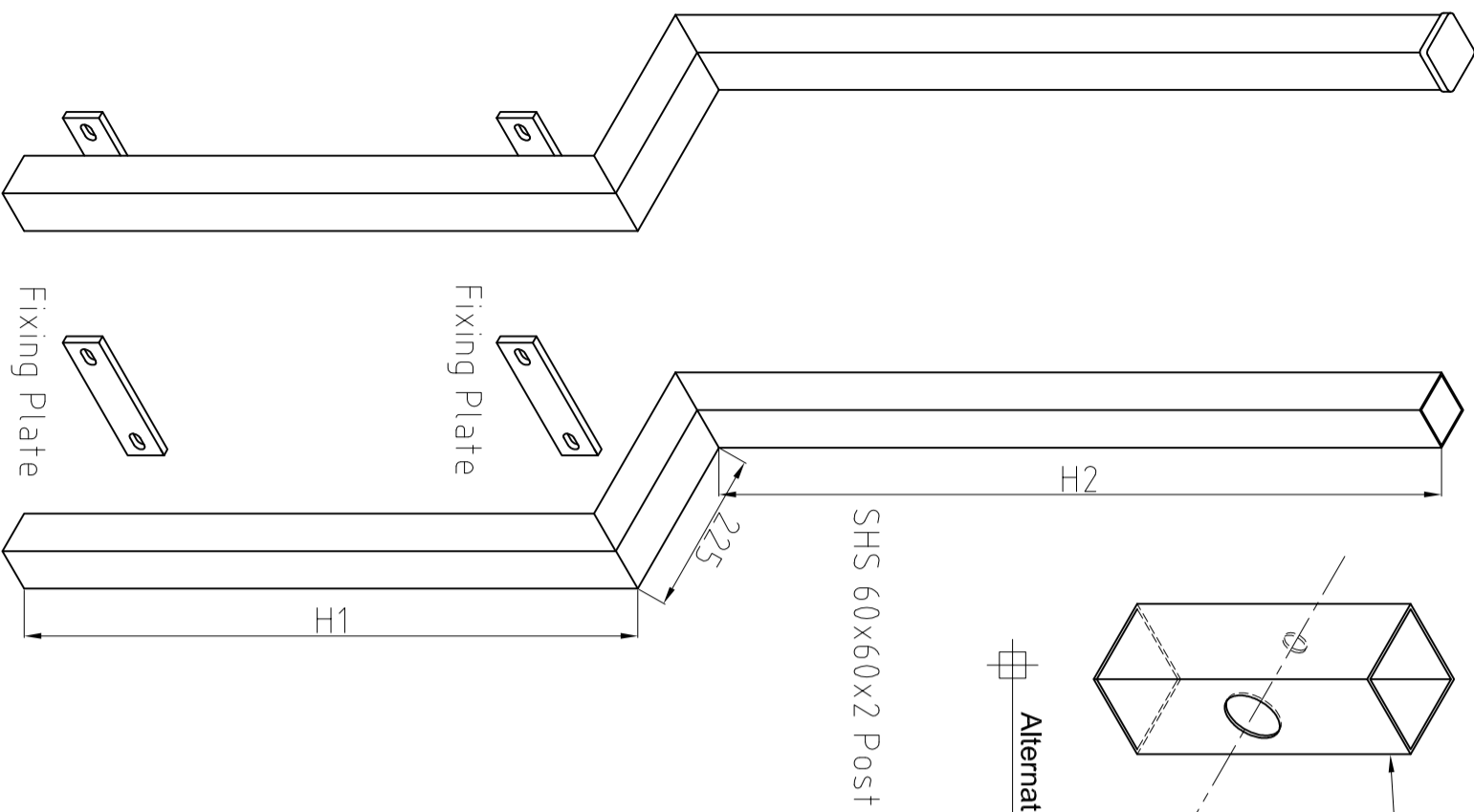
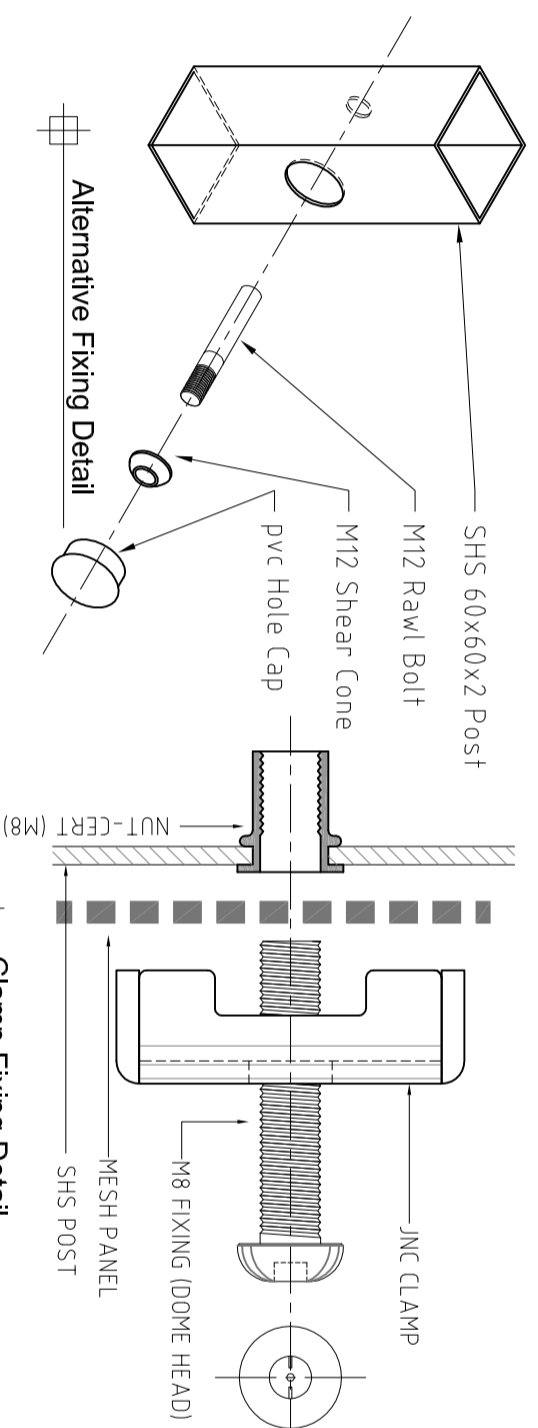
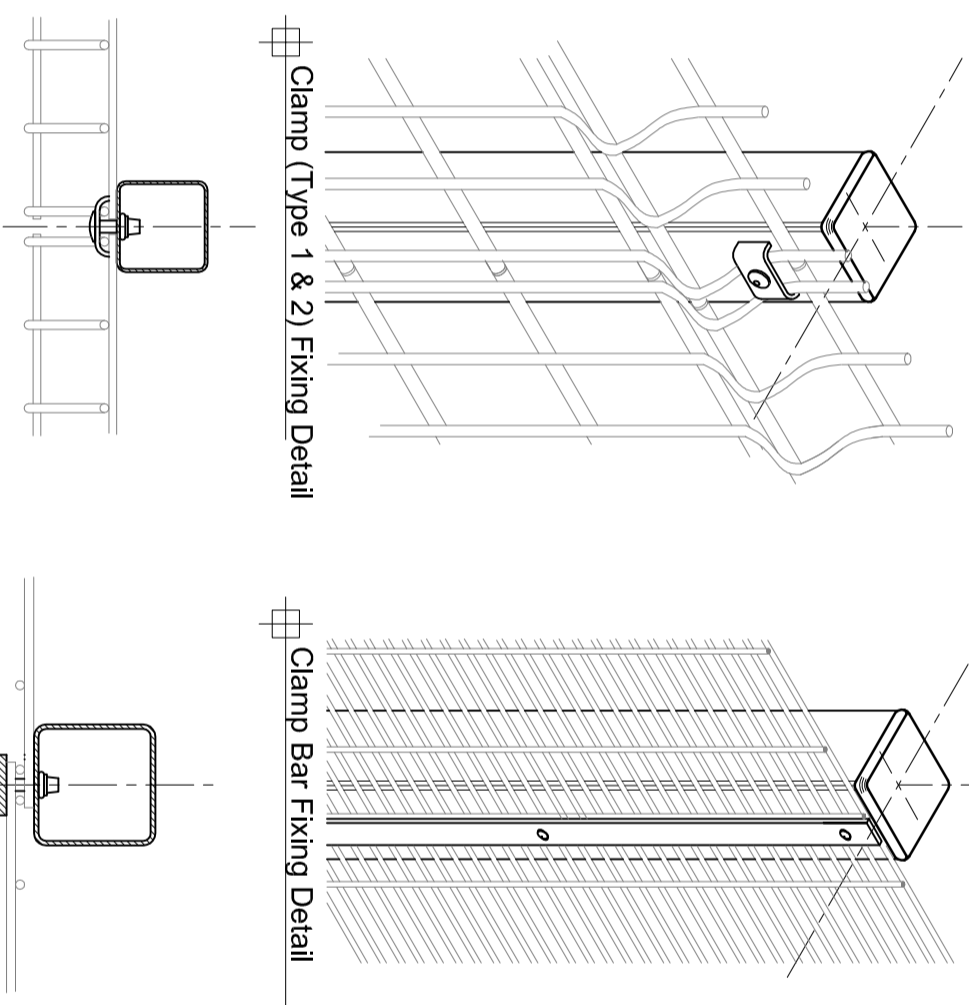




pvc Post Cap

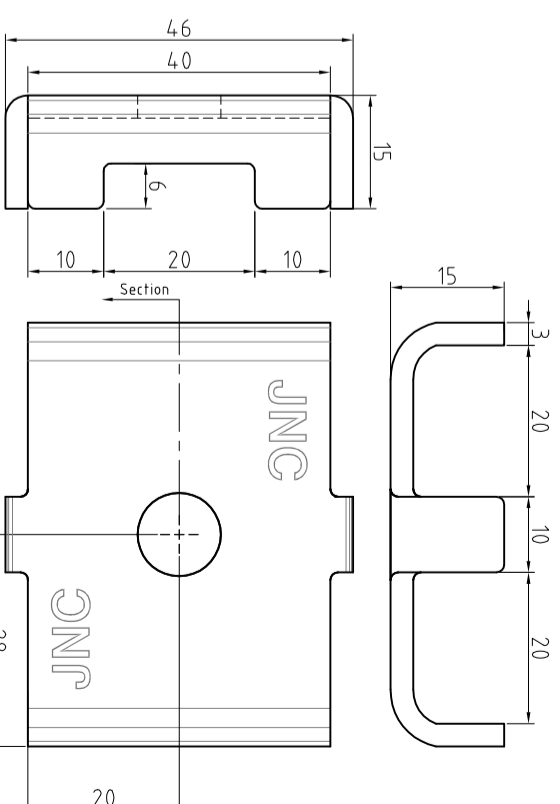


SHS 60x60x2 Cranked Post

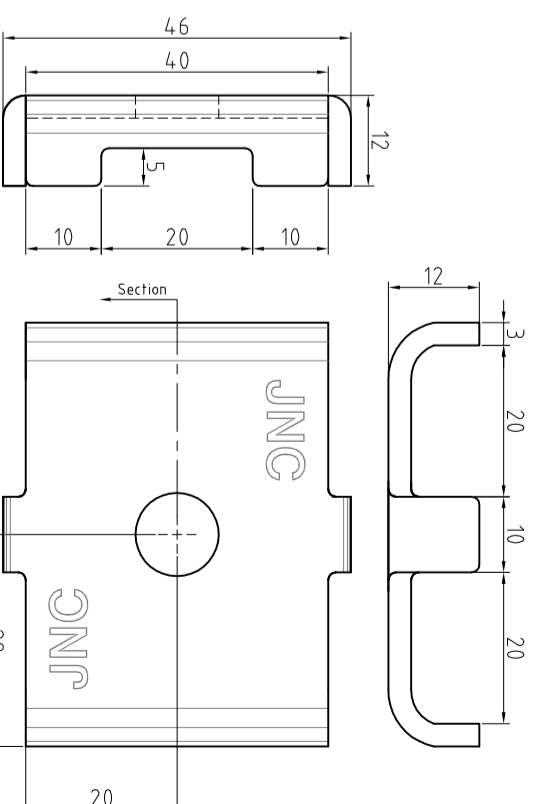


Clamp (Type 1 & 2) Fixing Detail

Clamp Bar Fixing Detail



Type 2 Clamp



Type 1 Clamp

IMPORTANT: NOTE: SAMPLE DRAWING ONLY. ACTUAL DIMENSIONS MAY CHANGE. **DO NOT SCALE**

© Copyright J.N.C. Fencing.

This drawing must not be loaned, copied or otherwise reproduced in whole or in part or used for any purpose without the prior permission of J.N.C. Fencing.



J.N.CUMMINS & Co.LTD

Industrial Fencing Contractors

Mayfield, Cashel, Co Tipperary
Tel: 00353 62 62214 Fax: 00353 62 62947
info@meshfence.co.uk
www.meshfence.co.uk



DRAWING TITLE

Clamps & Fixing Details

DATE:

December 2009

SHEET SIZE:

A3

SCALE:

1:1

DWG. NO.:

JNC CFD

REV. NO.:

A