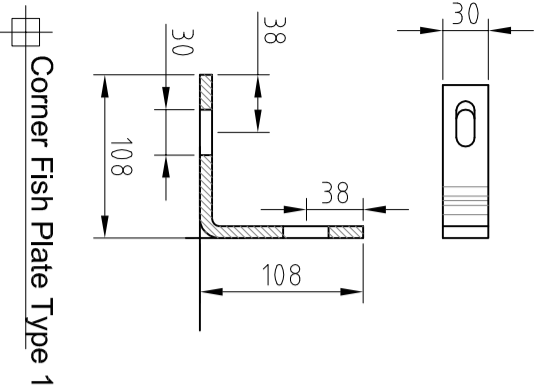
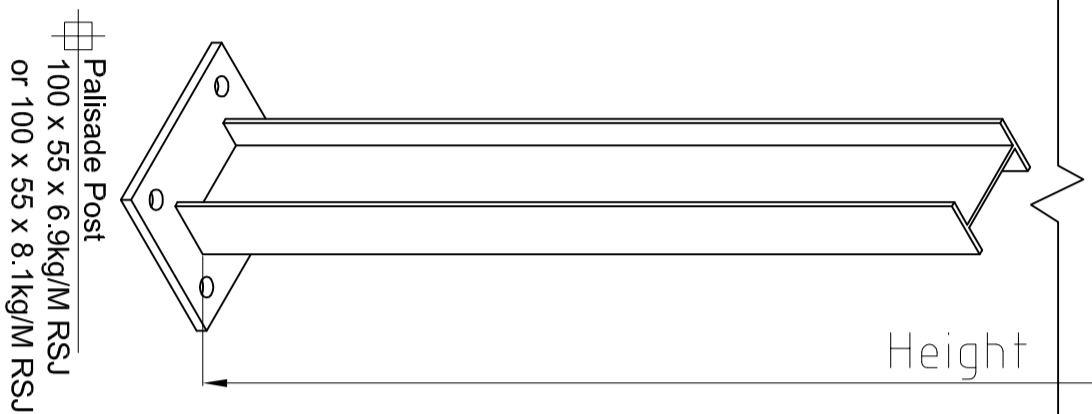


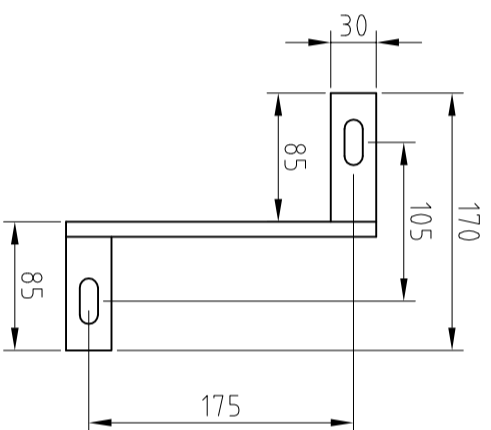
Palisade Post + Baseplate



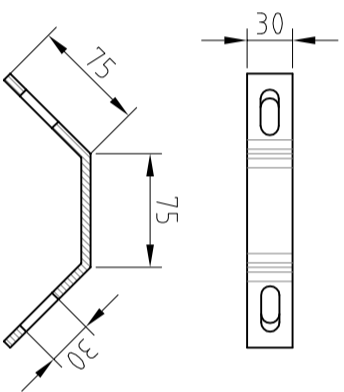
Corner Fish Plate Type 1



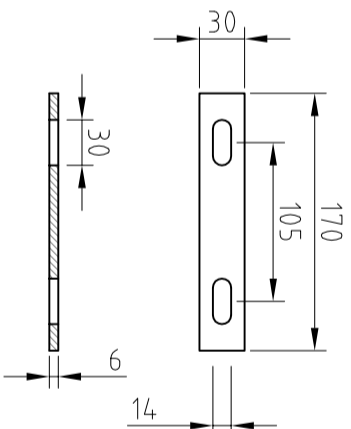
Palisade Post
100 x 55 x 6.9kg/M RSJ
or 100 x 55 x 8.1kg/M RSJ



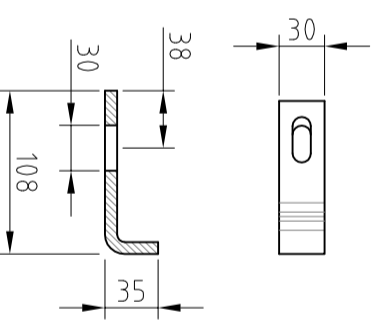
Stepped Fish Plate



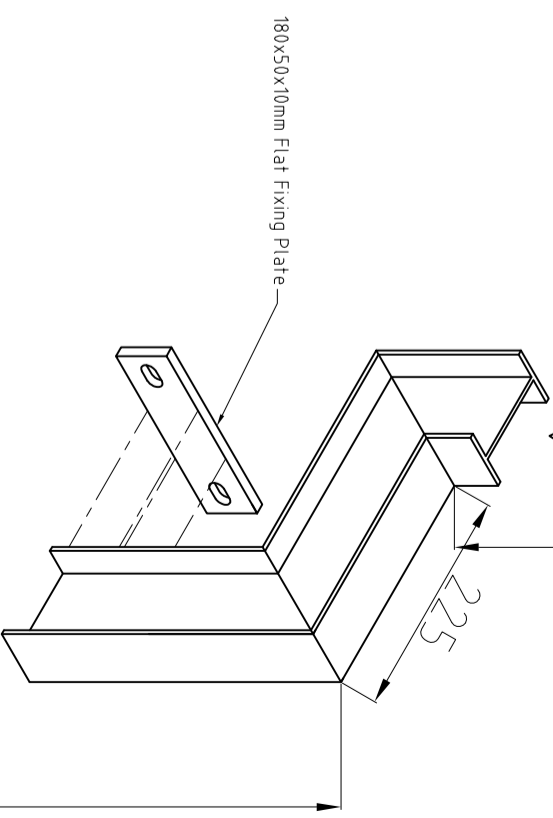
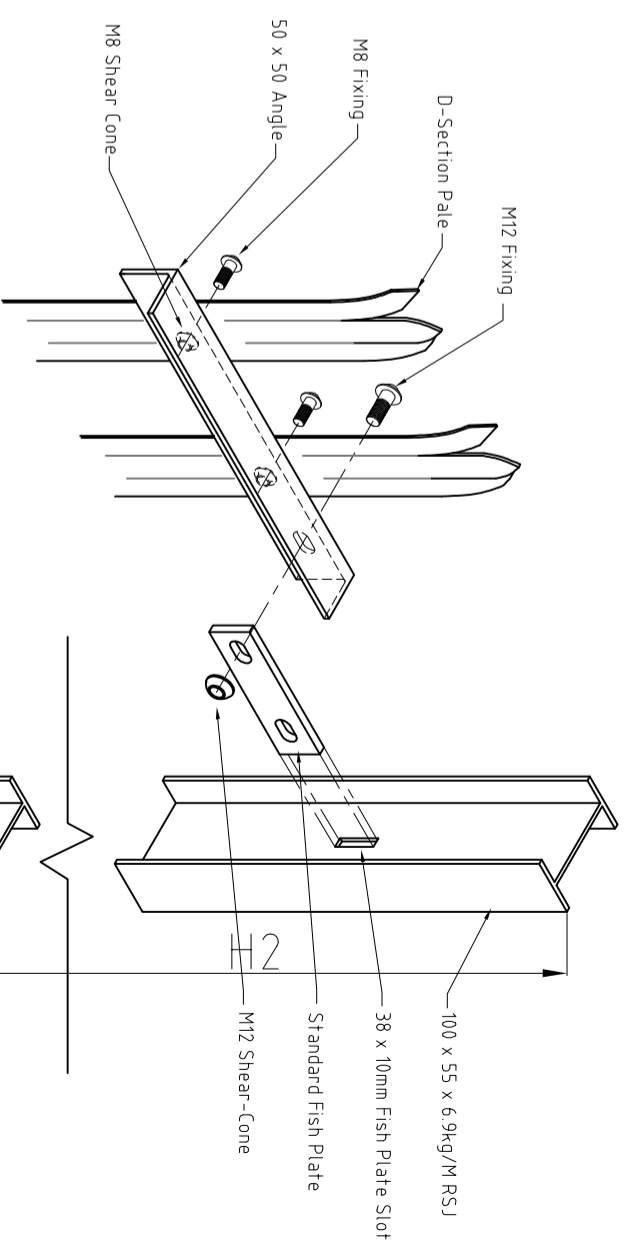
Corner Fish Plate Type 2



Standard Fish Plate



End Fish Plate



SAMPLE Cranked Palisade Post & Fixings
100 x 55 x 6.9kg/M RSJ
or 100 x 55 x 8.1kg/M RSJ

IMPORTANT: NOTE: SAMPLE DRAWING ONLY ACTUAL DIMENSIONS MAY CHANGE. **DO NOT SCALE**

© Copyright J.N.C. Fencing.

This drawing must not be loaned, copied or otherwise reproduced in whole or in part or used for any purpose without the prior permission of J.N.C. Fencing.



J.N.CUMMINS & Co.LTD

Industrial Fencing Contractors

Mayfield, Cashel, Co Tipperary
Tel: 00353 62 62214 Fax: 00353 62 62947
Info@meshfence.co.uk
www.meshfence.co.uk



DRAWING TITLE

Palisade Posts & Fixing Details

DATE:

December 2009

SHEET SIZE:

A3

SCALE:

NTS

DWG. NO.:

JNC PPF D

REV. NO.:

A