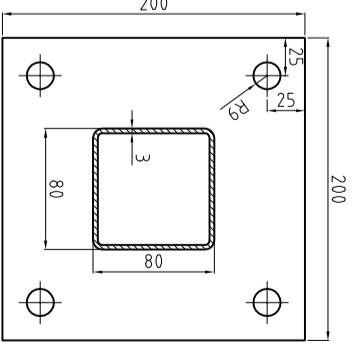
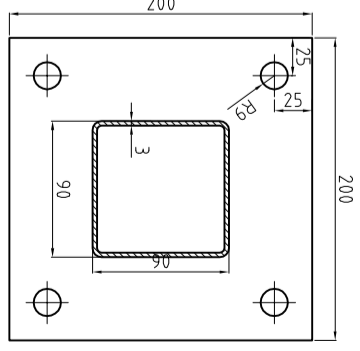


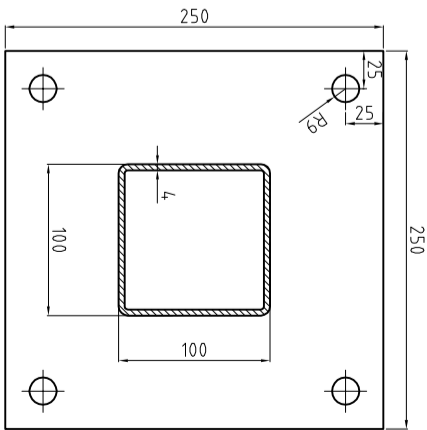
SHS 60x60x2 Post + Baseplate



SHS 80x80x3 Post + Baseplate



SHS 90x90x3 Post + Baseplate



SHS 100x100x4 Post + Baseplate

SHS 60x60x2 Post

SHS 80x80x3 Post

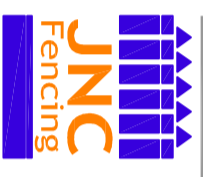
SHS 90x90x3 Post

SHS 100x100x4 Post

IMPORTANT: NOTE: SAMPLE DRAWING ONLY. ACTUAL DIMENSIONS MAY CHANGE. **DO NOT SCALE**

© Copyright J.N.C. Fencing.

This drawing must not be loaned, copied or otherwise reproduced in whole or in part or used for any purpose without the prior permission of **J.N.C. Fencing**.



J.N.CUMMINS & Co.LTD

Industrial Fencing Contractors

Mayfield, Cashel, Co Tipperary
Tel: 00353 62 62214 Fax: 00353 62 62947
info@meshfence.co.uk
www.meshfence.co.uk



DRAWING TITLE

Posts, Base Plates & Caps

DATE:

December 2009

SHEET SIZE:

A3

SCALE:

1:5

DWG. NO.:

JNC PBPC

REV. NO.:

A