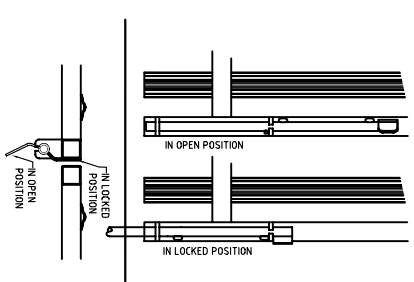
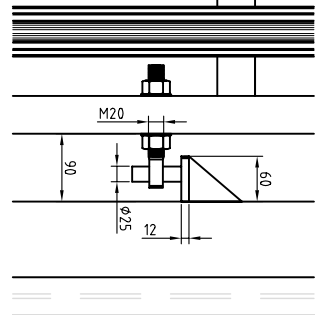
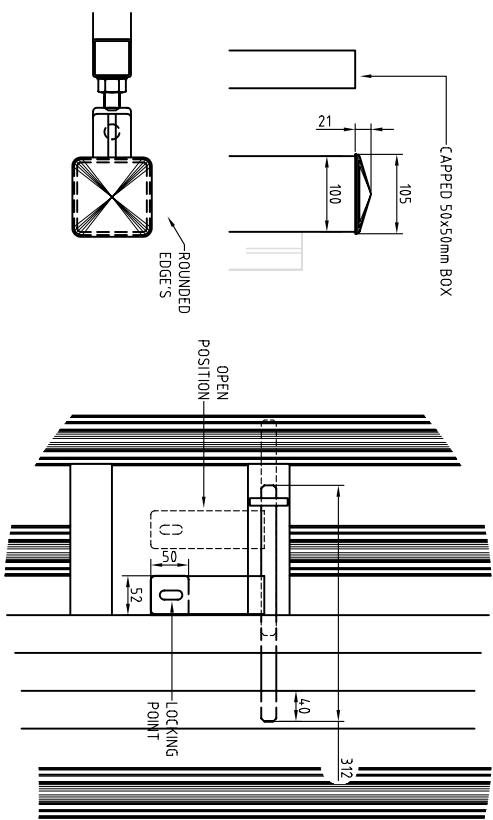


**NOTE.** OPTIONAL PALE TYPES AVAILABLE. See fencing Drawings Details



Drawing Title: Typical JNC Pal Gate H2.4 : W2.0M FOR INFORMATION ONLY		
Project/Client:	SAMPLE DRAWING	
Drawing/Doc/No Ref: No. -PG12	By: D.D.S.	App: JNC FENCING
Date: 09/11/02		

**J.N.CUMMINS & CO.LTD**  
Industrial Fencing Contractors  
Supply / Supply and Erection

Mayfield, Cashel, Co Tipperary  
Tel: 00353 62 62214 Fax: 00353 62 62947  
e-Mail: info@jncfencing.com  
www.jncfencing.com