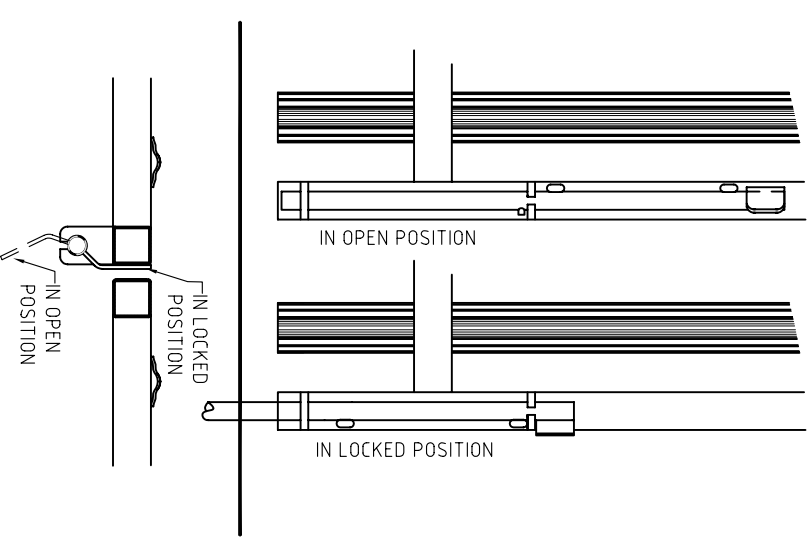
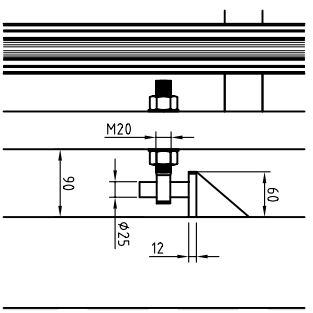
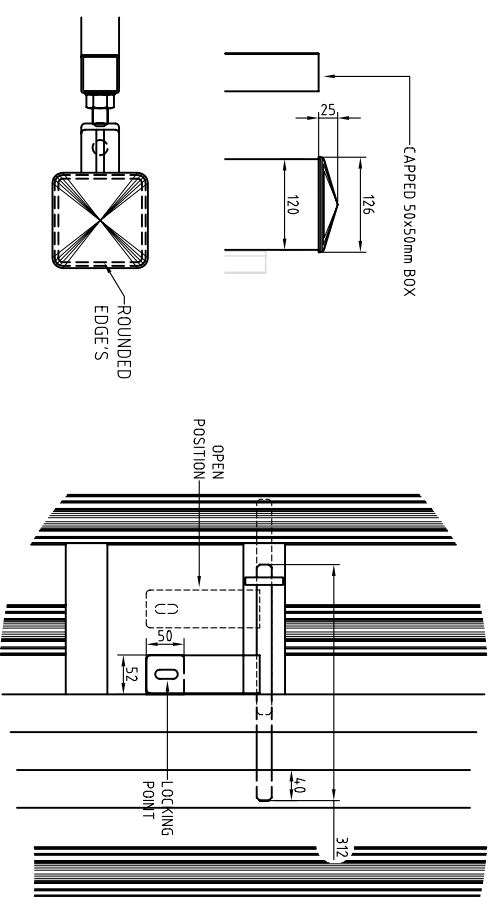


NOTE: OPTIONAL PALE TYPES AVAILABLE. See fencing Drawings Details



Drawing Title: Typical JNC Pal Gate H2.4 : W4.0M FOR INFORMATION ONLY
Project/ Client: SAMPLE DRAWING
Drawing/Doc No: Ref. No. -PG14
Date: 05/11/02 By: D.D.S. App: JNC FENCING



J.N. CUMMINS & CO.LTD
Industrial Fencing Contractors
Supply / Supply and Erection
Mayfield, Cashel, Co Tipperary
Tel: 00353 62 62214 Fax: 00353 62 62947
e-Mail: info@jncfencea.com
www.jncfencea.com