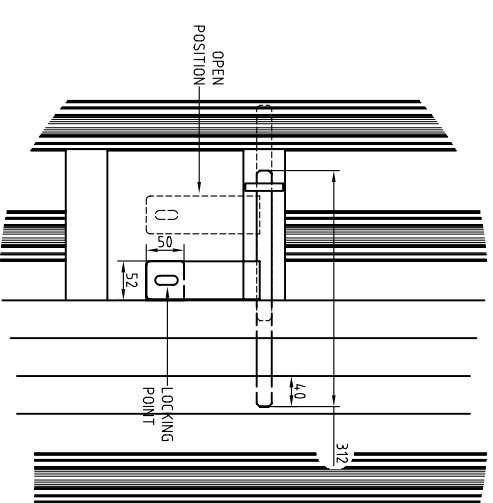
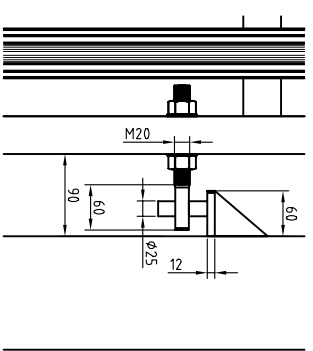


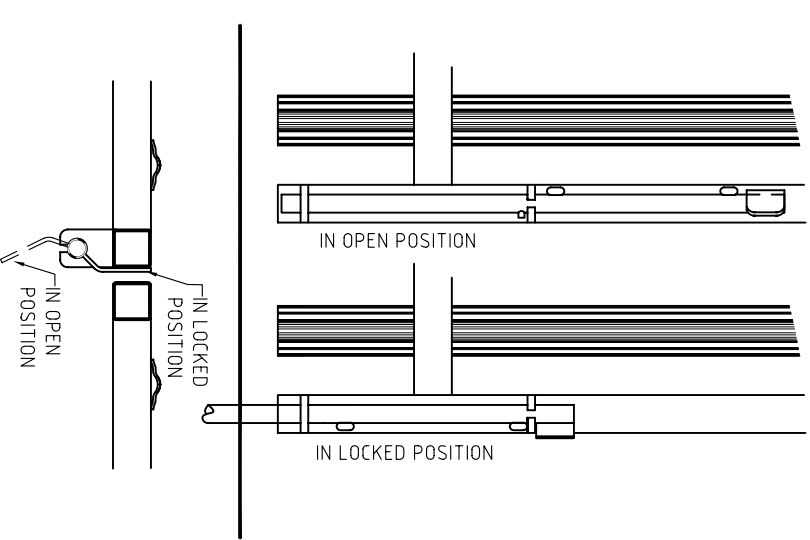
POST CAP DETAIL
scale 1/10



LOCK DETAIL
scale 1/10



HINGE DETAIL
scale 1/10



LOCK DETAIL
scale 1/10

NOTE. OPTIONAL PALE TYPES AVAILABLE. See fencing Drawings Details

Drawing Title:	Typical JNC Pal Gate H2.4 : W5.0M
Project/	FOR INFORMATION ONLY
Client:	SAMPLE DRAWING
Drawing/Doc.No	Ref. No. -PG15
Date: 05/11/02	By: D.D.S. App: JNC FENCING



J.N.CUMMINS & Co.LTD
 Industrial Fencing Contractors
 Supply / Supply and Erection
 Mayfield, Cashel, Co Tipperary
 Tel: 00353 62 62214 Fax: 00353 62 62947
 e-Mail: info@jncfencea.com
 www.jncfencea.com