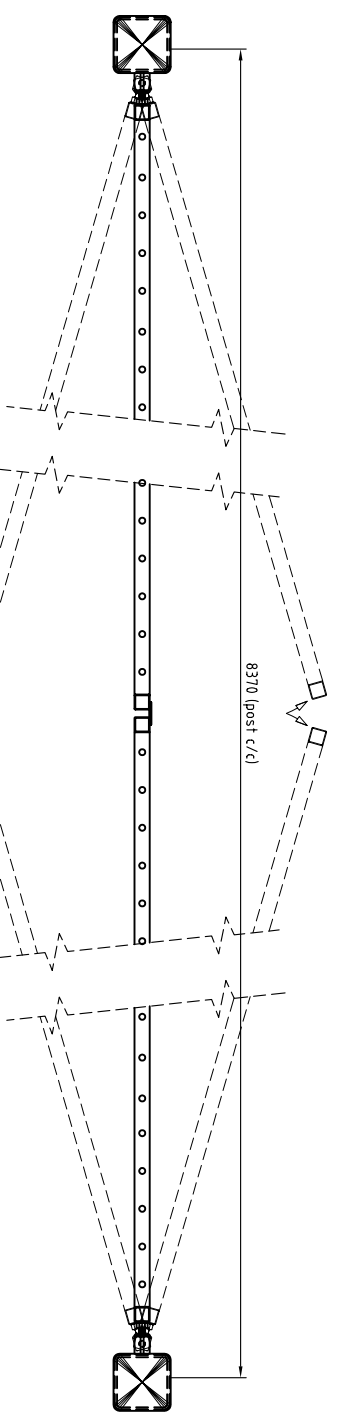
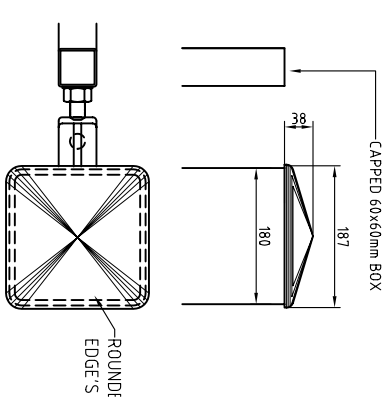


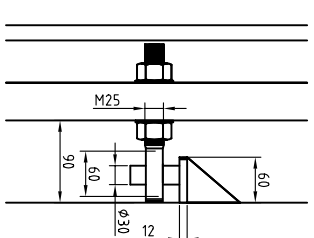
**FRONT ELEVATION**  
scale 1/25



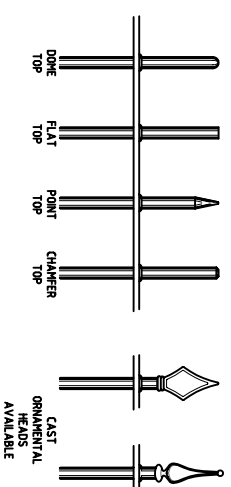
**PLANVIEW**  
scale 1/25



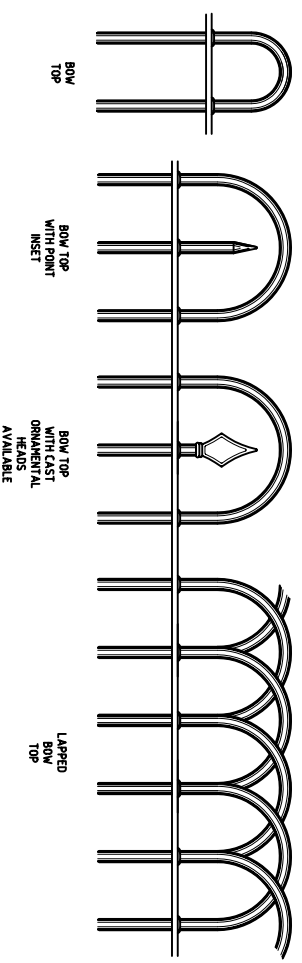
**POST CAP DETAIL**  
scale 1/10



**HINGE DETAIL**  
scale 1/10



**Optional Point Styles**  
INFILL BARS AVAILABLE IN Ø12/16 & 20  
scale NTS



Drawing Title:	Typical JNC Rail Gate 2.4: W- 8.0M FOR INFORMATION ONLY
Project/Client:	SAMPLE DRAWING
Drawing/Doc No:	Ref No. RG38
Date:	05/11/02
By:	D.D.S.
App:	JNC FENCING



**J.N. CUMMINS & CO. LTD**  
Industrial Fencing Contractors  
Supply / Supply and Erection  
Mayfield, Cashel, Co Tipperary  
Tel: 00353 62 62214 Fax: 00353 62 62947  
e-Mail: info@jncfencing.com  
www.jncfencing.com