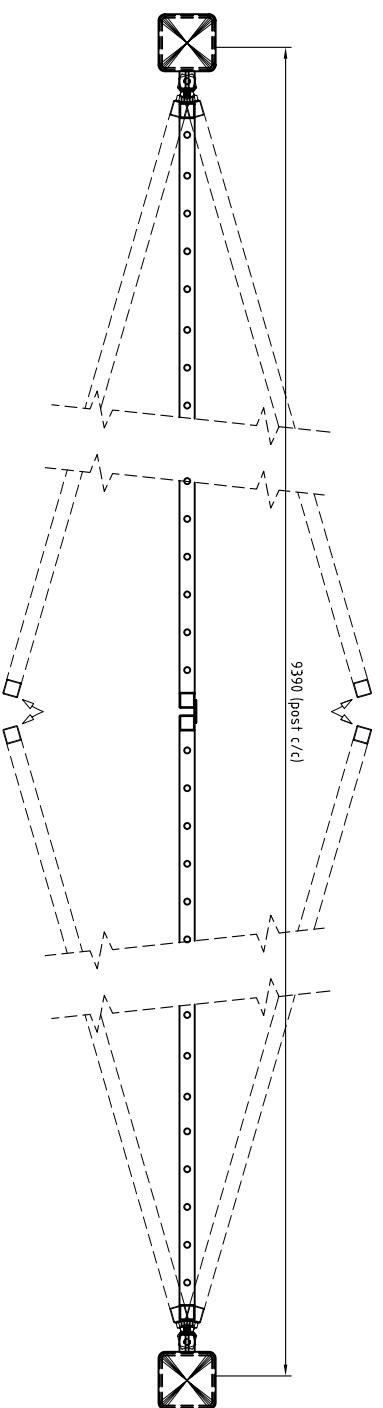
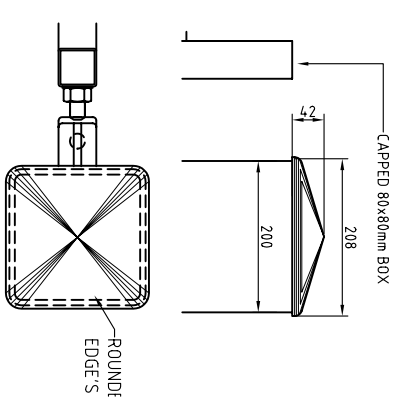


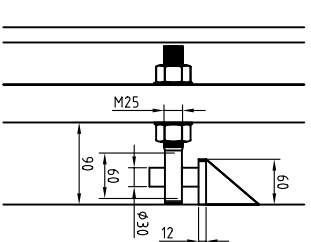
FRONT ELEVATION
scale 1/25



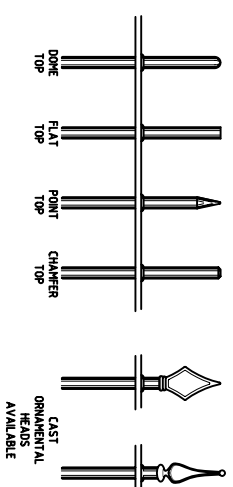
PLANVIEW
scale 1/25



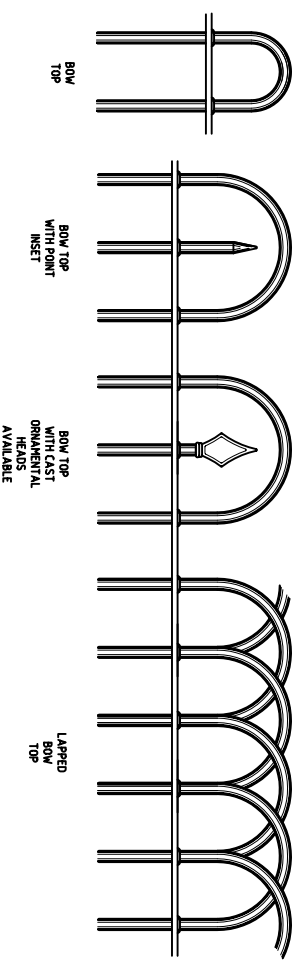
POST CAP DETAIL
scale 1/10



HINGE DETAIL
scale 1/10



Optional Point Styles
INFILL BARS AVAILABLE IN Ø12/16 & 20
scale NTS



Drawing Title:	Typical JNC Rail Gate 2.4: W-9.0M FOR INFORMATION ONLY
Project/Client:	SAMPLE DRAWING
Drawing/Doc No:	Ref No. RG39
Date:	05/11/02
By:	D.D.S.
App:	JNC FENCING



J.N. CUMMINS & CO. LTD
Industrial Fencing Contractors
Supply / Supply and Erection
Mayfield, Cashel, Co Tipperary
Tel: 00353 62 62214 Fax: 00353 62 62947
e-Mail: info@jncfence.com
www.jncfence.com