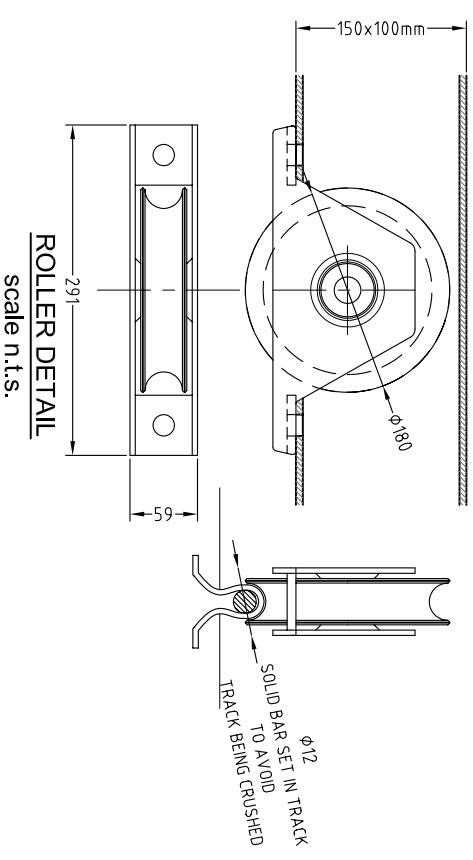
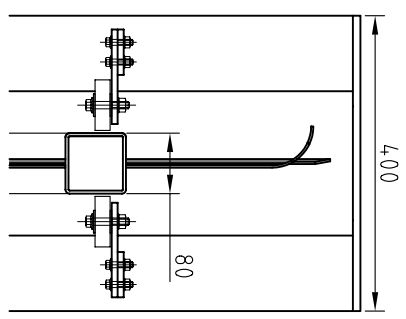
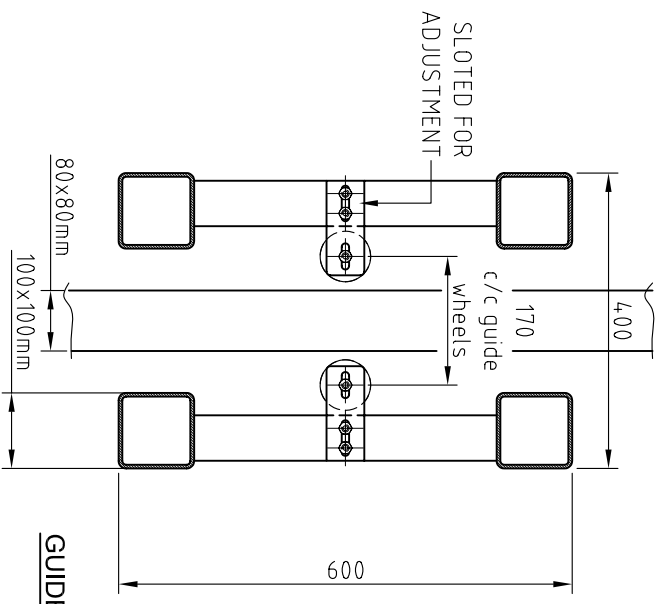
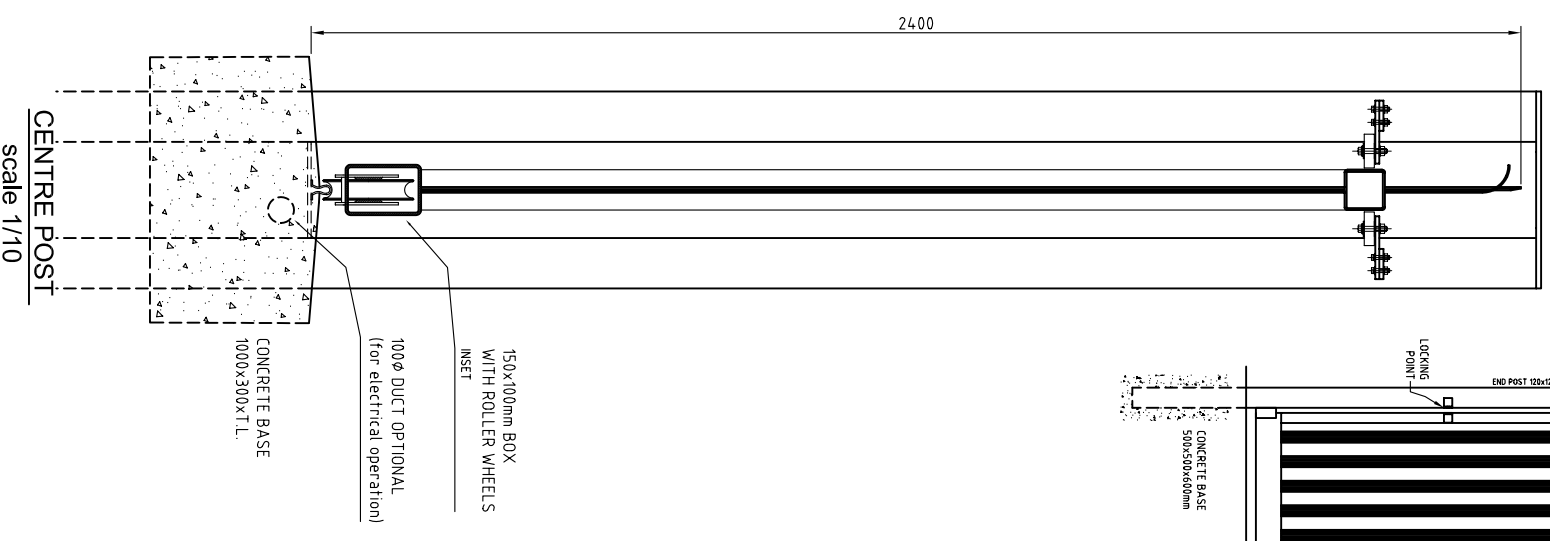


FRONT ELEVATION
scale n.t.s.



Drawing Title: Typical JNC Pal Roller Gate
Project: OPE 10.0 GATE- 10.6M (h-2.4M)
Client: SAMPLE DRAWING FOR INFORMATION ONLY
Drawing/Doc No: Ref. No. SG19
Date: 26/11/02 By: D.D.S. App: JNC FENCING

J.N. CUMMINS & CO. LTD
Industrial Fencing Contractors
Supply / Supply and Erection
Mayfield, Cashel, Co Tipperary
Tel: 00353 62 62214 Fax: 00353 62 62947
e-Mail: info@jncfence.com
www.jncfence.com