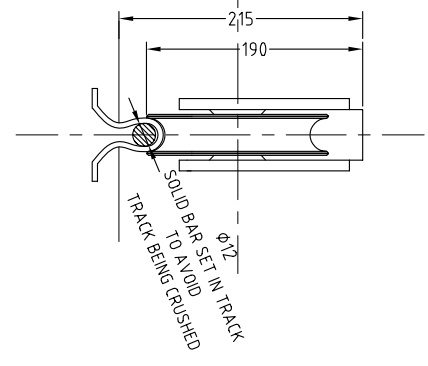
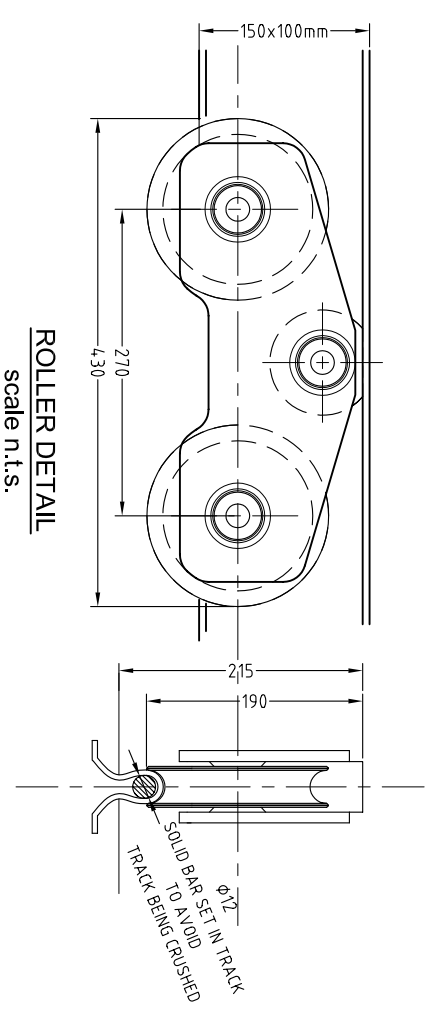
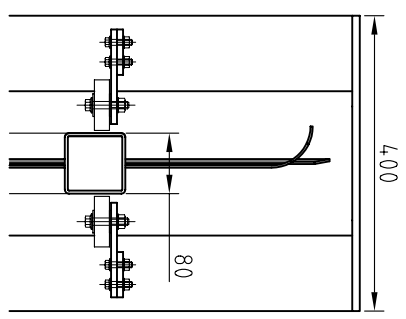
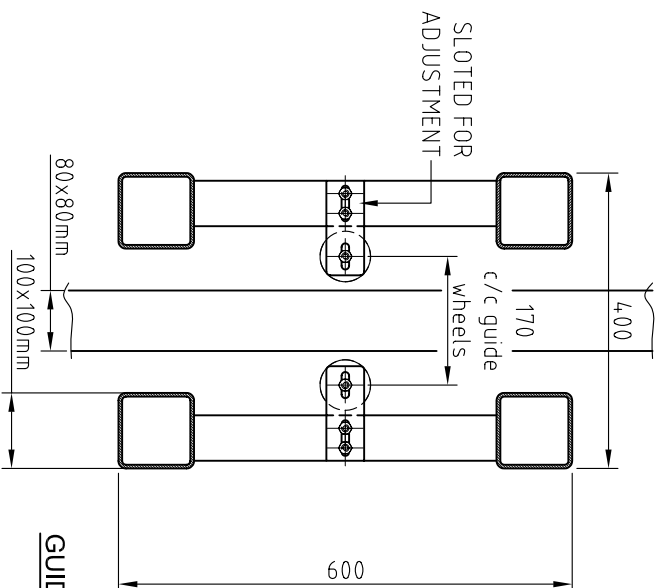
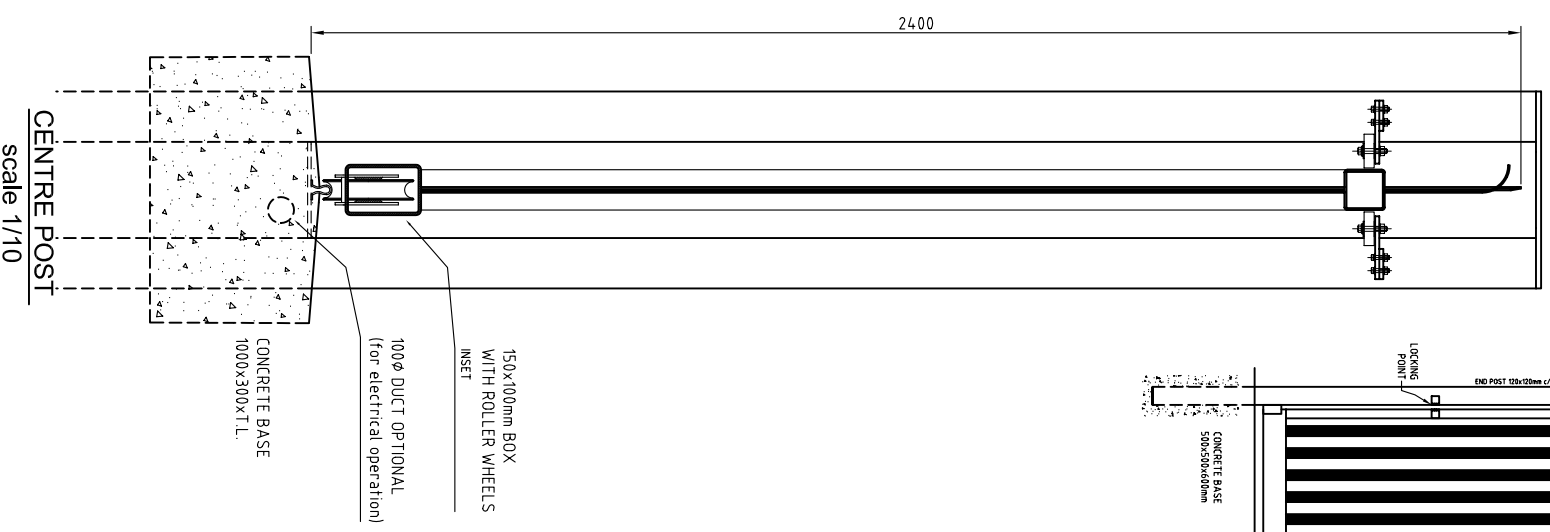


**FRONT ELEVATION**  
scale n.t.s.



Drawing Title:	Typical JNC Pal Roller Gate
Project/Client:	OPF 15.0 GATE- 15.6M (h=2.4M) SAMPLE DRAWING FOR INFORMATION ONLY
Drawing/Doc No:	Ref. No. SG24
Date:	26/11/02
By:	D.D.S.
App:	JNC FENCING

**J.N. CUMMINS & CO. LTD**  
Industrial Fencing Contractors  
Supply / Supply and Erection  
Mayfield, Cashel, Co Tipperary  
Tel: 00353 62 62214 Fax: 00353 62 62947  
e-Mail: info@jncfencing.com  
www.jncfencing.com