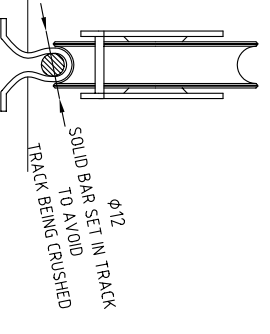
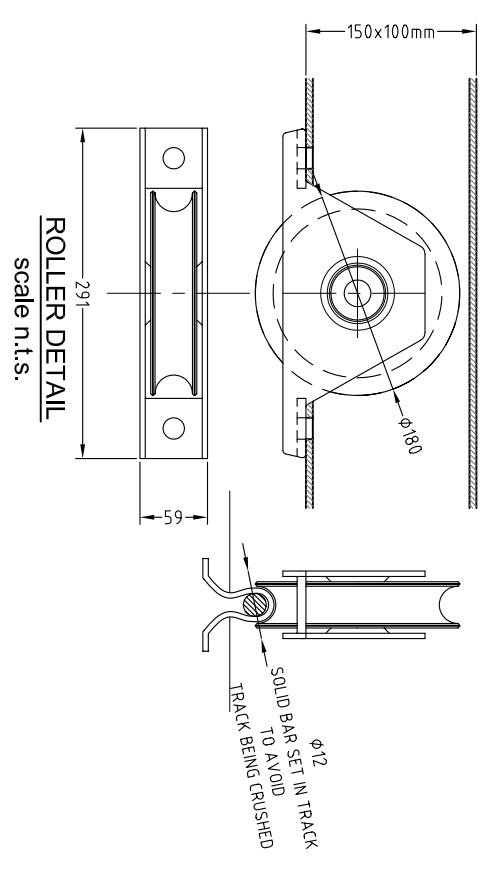
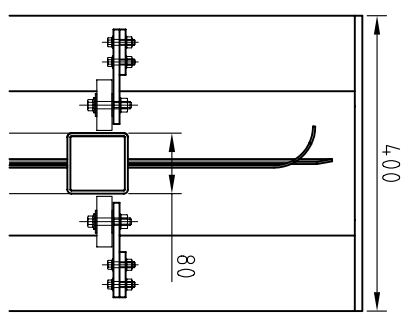
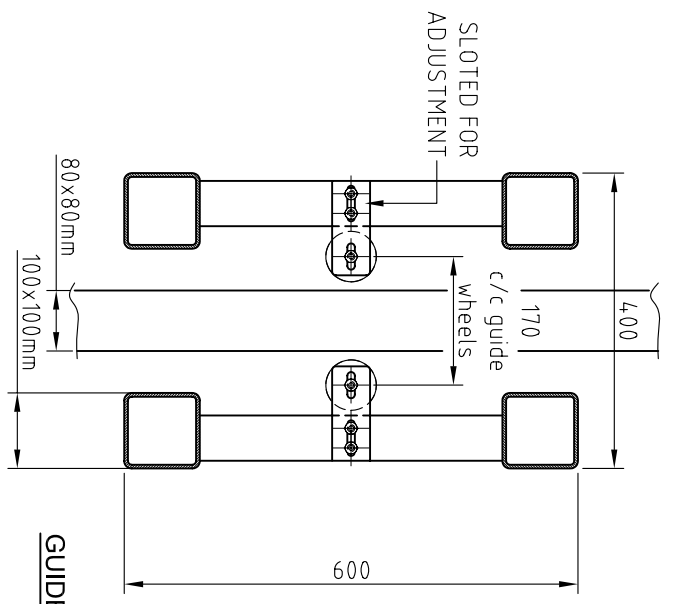
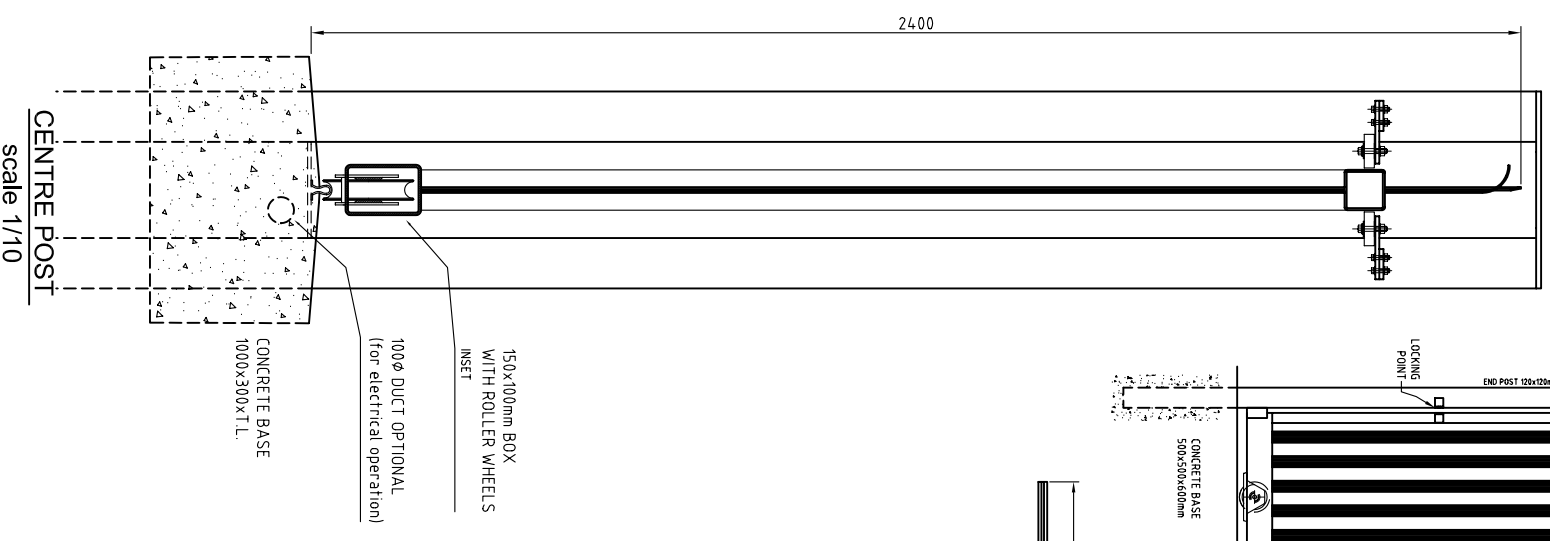


FRONT ELEVATION
scale n.t.s.



Drawing Title:	Typical JNC Pal Roller Gate
Project:	OPF 7.0 GATE-7.6M (h-2.4M)
Client:	SAMPLE DRAWING FOR INFORMATION ONLY
Drawing/Doc No:	Ref. No. SG16
Date:	26/11/02
By:	D.D.S.
App:	JNC FENCING

J.N. CUMMINS & CO. LTD
Industrial Fencing Contractors
Supply / Supply and Erection
Mayfield, Cashel, Co Tipperary
Tel: 00353 62 62214 Fax: 00353 62 62947
e-Mail: info@jncfencing.com
www.jncfencing.com