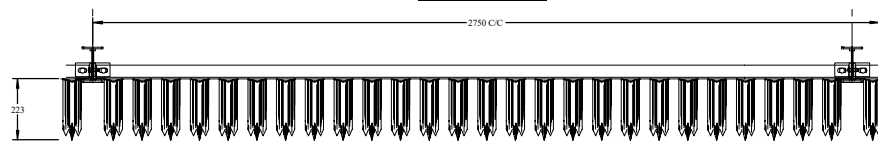
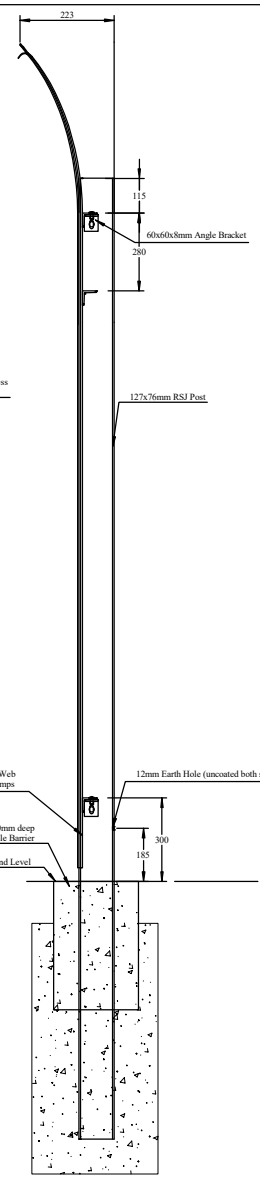


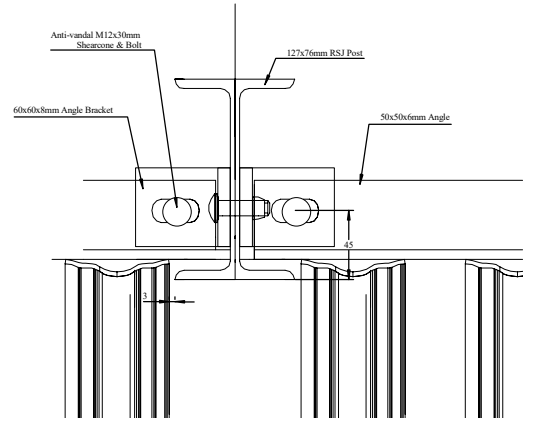
Front Elevation



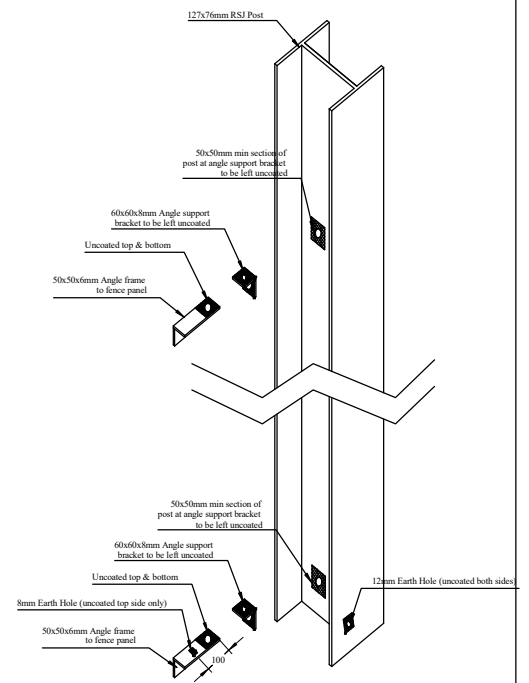
Plan View



End Elevation



Post Detail - Plan View



Powder Coating Detail @ Fixing Points

Finish: Galvanised to BS EN ISO 1461
 Colour: Black RAL 9005

Drawing Title: 3.0m High JNC Curved Top Palisade Fence Details			
Project/Client: DUB090 - John Paul Construction Ltd.			
Drawing/Doc. No: Sample Drawing - For Information Only			
Date: 25/01/2023	By: JD	Sheet Size: A3	Approved: JNC



J.N. Cummins & Co. LTD
Industrial Fencing Contractors
 Supply / Supply and Install
 Mayfield, Cashel, Co. Tipperary
 Tel: +353 (0) 62 62214 Fax: +353 (0) 62 62947
 Email: info@jncfence.com
 www.jncfence.com

IMPORTANT: NOTE SAMPLE DRAWING ONLY.
 ACTUAL DIMENSIONS MAY CHANGE. DO NOT SCALE.

© Copyright J.N.C. Fencing. This drawing and copyright is owned by J.N.C.Fencing. This drawing must not be loaned, copied or otherwise reproduced in whole or in part or used for any purpose without the permission of J.N.C. Fencing.