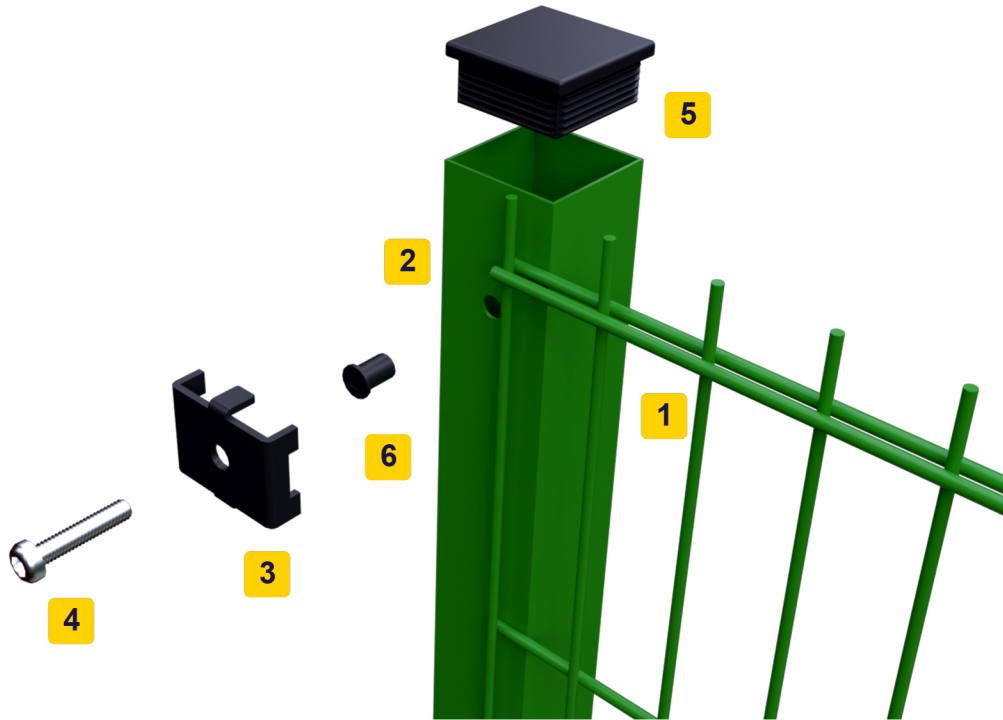


Doublebeam656

Suitable for low to medium security where strength and rigidity is required.



- 1 Steel welded mesh security fence panel.
- 2 Galvanised steel fence post factory drilled to suit mesh apertures and step.
- 3 Galvanised and PPC (Ral 9005 as standard) JNC Type1 security bracket.
- 4 M8* 40mm Stainless Steel security Bolt Max Torque 19 Nm.
- 5 Ribbed heavy duty post cap (Ral 9005 as standard).
- 6 M8 factory fitted threaded insert.

Doublebeam656 features:

- EN-ISO 10244-2:2009 (Commercial Galvanised Class D)
- EN-ISO 13438:2013 (Powder coating)
- BS1722-14:2006 (Fencing)
- **Security Level : Category 1, 2 (height dependent)**



*subject to T&Cs of maintenance

JNC Doublebeam656 a lighter version of 868 is another rigid form of welded mesh fencing available. The robust nature of its construction ensures that this twin wire mesh is difficult to deform and capable of resisting lesser level attacks of vandalism.

Manufactured in panels from medium gauge welded mesh with 200*50 aperture they are mounted on RHS type posts with the JNC Type 1 bracket fixing system or U Clamp and Clamp Bar fixing system. Panels can multi-lift and are fitted with a 200mm step, panels can be inverted also.

Doublebeam656 installation and features:

Finished with a polyester powder coating over a galvanised substrate wire giving a hardwearing and durable presentation and long life expectancy for the fence.

JNC Doublebeam656 is ideally suited for applications requiring a low to medium degree of resistance to impact and vandalism. This panel system has been proven to withstand the most applications but is not particularly suited to sports enclosure applications.

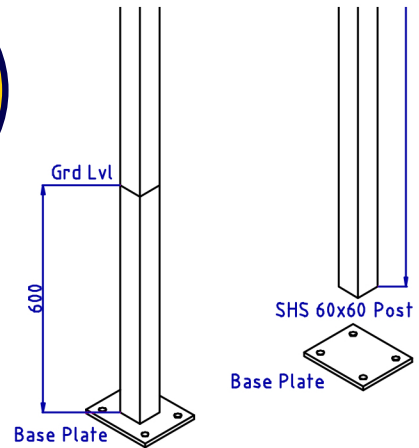
Panel has an overhang which can be inverted.

RAL6005 Green RAL9005 Black

More colours available on request



Gates to match:
Swinging,
Sliding,
Cantilevered



Baseplated and dig in hole options available in multiple sizes as required.

| Fence Height | Post Intermediates & Corners | Panel Width | Horizontal Wire | Vertical Wire | Mesh Centres | V Beams | Security Fixings & Nut Inserts | Qty Bracket Double for Corners | Concrete Base | Post C/C | Factory Post Stepping |
|--------------|------------------------------|-------------|-----------------|---------------|--------------|---------|---|--------------------------------|---------------|----------|-----------------------|
| 1.23m | 60*60*1700m | 2510mm | 6mm | 5mm | 200*50 | 0 | M8+ Type 1Bracket U Bracket & Clamp Bar 40*5mm | 4 | 400*400*500 | 2530mm | 200mm |
| 1.83m | 60*60*2400mm | 2510mm | 6mm | 5mm | 200*50 | 0 | M8+ Type 1Bracket U Bracket & Clamp Bar 40*5mm | 5 | 450*450*525 | 2530mm | 200mm |
| 2.03m | 60*60*2600mm | 2510mm | 6mm | 5mm | 200*50 | 0 | M8+ Type 1Bracket U Bracket & Clamp Bar 40*5mm | 5 | 450*450*525 | 2530mm | 200mm |
| 2.43m | 60*60*3000mm | 2510mm | 6mm | 5mm | 200*50 | 0 | M8+ Type 1Bracket U Bracket & Clamp Bar 40*5mm | 7 | 450*450*600 | 2530mm | 200mm |
| 3.03m | 80*80*3750mm | 2510mm | 6mm | 5mm | 200*50 | 0 | M8+ Type 1Bracket U Bracket & Clamp Bar 40*5mm | 8 | 450*450*800 | 2530mm | 200mm |