

# Doublebeam868

Suitable for medium to high security where strength and maximum rigidity is required.



- 1 Steel welded mesh security fence panel.
- 2 Galvanised steel fence post factory drilled to suit mesh apertures and step.
- 3 Galvanised and PPC ( Ral 9005 as standard ) JNC Type2 security bracket.
- 4 M8\* 40mm Stainless Steel security Bolt Max Torque 19 Nm.
- 5 Ribbed heavy duty post cap ( Ral 9005 as standard ).
- 6 M8 factory fitted threaded insert.

## Doublebeam868 features:

- EN-ISO 10244-2:2009 (Commercial Galvanised Class D)
- EN-ISO 13438:2013 (Powder coating)
- BS1722-14:2006 (Fencing)
- **Security Level : Category 1, 2, 3 (height dependent)**



\*subject to T&Cs of maintenance

JNC Doublebeam868 is the most rigid form of welded mesh fencing available. The robust nature of its construction ensures that this twin wire mesh is difficult to deform and capable of resisting attacks of vandalism.

Manufactured in panels from heavy gauge welded mesh with 200\*50 aperture they are mounted on RHS type posts with the JNC Type 2 bracket fixing system or U Clamp and Clamp Bar. Panels can multi-lift are fitted with a 200mm step , panels can be inverted also.

## Doublebeam868 installation and features:

Finished with a polyester powder coating over a galvanised substrate wire giving a hardwearing and durable presentation and long life expectancy for the fence.

JNC Doublebeam868 is ideally suited for applications requiring a high degree of resistance to impact and vandalism. This panel system has been proven to withstand the most demanding applications and is particularly suited to sports enclosure applications.

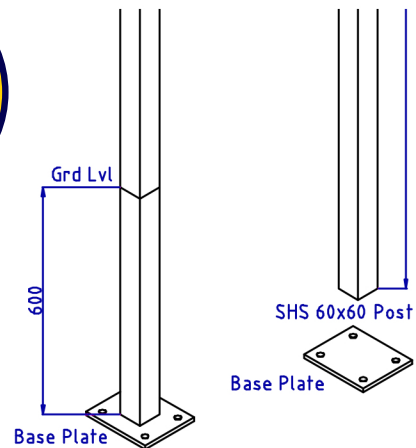
Panel has an overhang that can be inverted.

RAL6005 Green

RAL9005 Black

More colours available on request

Gates to match:  
Swinging,  
Sliding,  
Cantilevered



Baseplated and dig in hole options available in multiple sizes as required.

Fence Height	Post Intermediates & Corners	Panel Width	Horizontal Wire	Vertical Wire	Mesh Centres	V Beams	Security Fixings & Nut Inserts	Qty Bracket Double for Corners	Concrete Base	Post C/C	Factory Post Stepping
1.23m	60*60*1700m	2510mm	8mm	6mm	200*50	0	M8+ Type 2Bracket U Bracket & Clamp Bar 40*5mm	4	400*400*500	2530mm	200mm
1.83m	60*60*2400mm	2510mm	8mm	6mm	200*50	0	M8+ Type 2Bracket U Bracket & Clamp Bar 40*5mm	5	450*450*525	2530mm	200mm
2.03m	60*60*2600mm	2510mm	8mm	6mm	200*50	0	M8+ Type 2Bracket U Bracket & Clamp Bar 40*5mm	5	450*450*525	2530mm	200mm
2.43m	60*60*3000mm	2510mm	8mm	6mm	200*50	0	M8+ Type 2Bracket U Bracket & Clamp Bar 40*5mm	7	450*450*600	2530mm	200mm
3.03m	80*80*3750mm	2510mm	8mm	6mm	200*50	0	M8+ Type 2Bracket U Bracket & Clamp Bar 40*5mm	8	450*450*800	2530mm	200mm