

# Premier

Low to Medium security applications where appearance is vital.



- 1 Steel welded mesh security fence panel.
- 2 Galvanised steel fence post factory drilled to suit mesh apertures and step.
- 3 Galvanised and PPC (Ral 9005 as standard ) JNC Type1 security bracket.
- 4 M8\* 40mm Stainless Steel security Bolt Max Torque 19 Nm.
- 5 Ribbed heavy duty post cap ( Ral 9005 as standard ).
- 6 M8 factory fitted threaded insert.

## Premier features:

- EN-ISO 10244-2:2009 (Commercial Galvanised Class D)
- EN-ISO 13438:2013 (Powder coating)
- BS1722-14:2006 (Fencing)
- **Security Level : Category 1, 2 (height dependent)**



\*subject to T&Cs of maintenance

JNC Premier is the perfect choice where security is required but without an intimidating and oppressive appearance. It is an adaptable, attractive close mesh fencing system and is particularly suitable for use in prestige locations where visual appeal is essential.

The panel's feature pressed V beams reinforced by 4mm vertical and a 5mm horizontal diameter wire across the full panel width for additional strength and rigidity.

The panels are fully welded with a standard mesh aperture of approximately 200\*20\*40mm making climbing difficult and mounted onto RHS posts with the JNC Type 1 fixing system. Panels can multi-lift are fitted with a 150mm step.



## Premier installation and features:

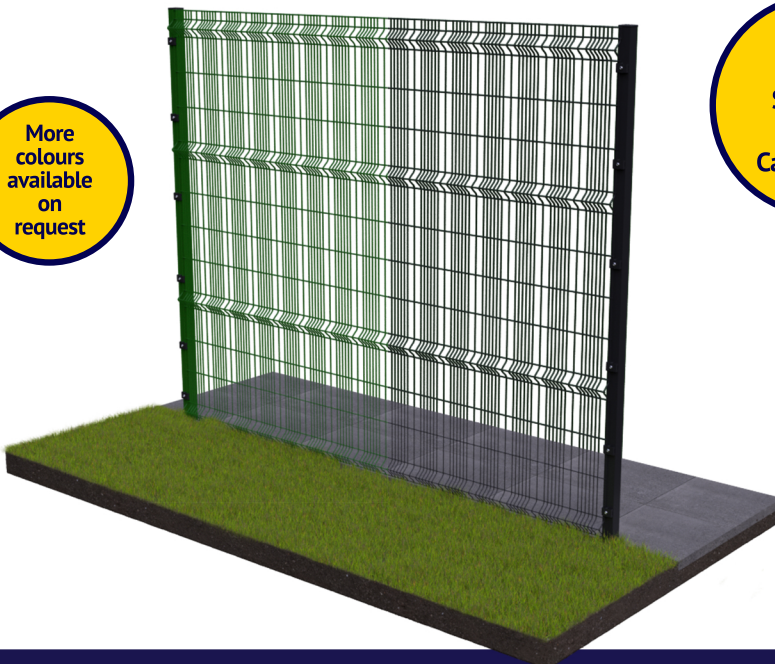
Finished with a polyester powder coating over a galvanised wire substrate a hard wearing and durable presentation and long-life expectancy for the fence.

JNC Premier has been designed to be strong and resilient whilst providing a high degree of unobtrusive security with elegance.

Panel has no overhang and cannot be inverted.

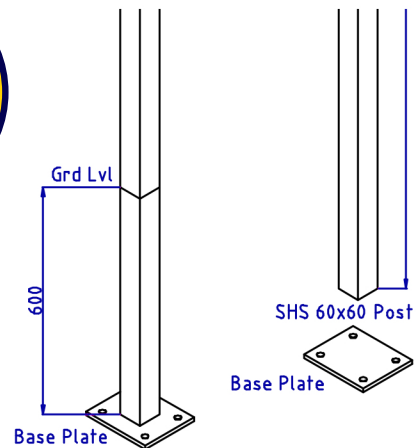
RAL6005 Green

RAL9005 Black



More colours available on request

Gates to match:  
Swinging,  
Sliding,  
Cantilevered



Baseplated and dig in hole options available in multiple sizes as required.

Fence Height	Post Intermediates & Corners	Panel Width	Horizontal Wire	Vertical Wire	Mesh Centres	V Beams	Security Fixings & Nut Inserts	Qty Bracket Double for Corners	Concrete Base	Post C/C	Factory Post Stepping
1.20m	60*60*1700m	3010mm	5mm	4mm	200*20*40	2	M8+ Type 1Bracket	3	400*400*500	3030mm	150mm
1.80m	60*60*2400mm	3010mm	5mm	4mm	200*20*40	3	M8+ Type 1Bracket	5	450*450*525	3030mm	150mm
2.00m	60*60*2600mm	3010mm	5mm	4mm	200*20*40	3	M8+ Type 1Bracket	5	450*450*525	3030mm	150mm
2.35m	60*60*3000mm	3010mm	5mm	4mm	200*50*40	3	M8+ Type 1Bracket	6	450*450*600	3030mm	150mm