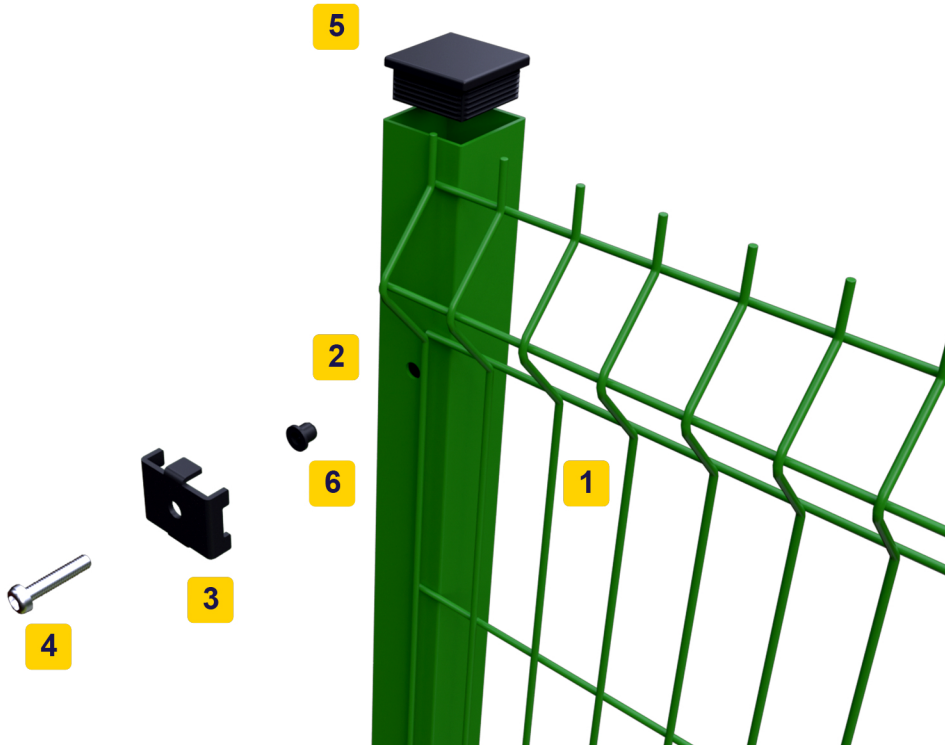


# Resista Mesh

Suitable for low to medium security applications where appearance is an issue.



- 1** Steel welded mesh security fence panel.
- 2** Galvanised steel fence post factory drilled to suit mesh apertures and step.
- 3** Galvanised and PPC ( Ral 9005 as standard ) JNC Type1 security bracket.
- 4** M8\* 40mm Stainless Steel security Bolt Max Torque 19 Nm.
- 5** Ribbed heavy duty post cap ( Ral 9005 as standard ).
- 6** M8 factory fitted threaded insert.

## Resista Mesh features:

- EN-ISO 10244-2:2009 (Commercial Galvanised Class D)
- EN-ISO 13438:2013 (Powder coating)
- BS1722-14:2006 (Fencing)
- **Security Level : Category 1**



\*subject to T&Cs of maintenance

JNC Resista is a versatile V pressed beam panel fence, which significantly increases the rigidity of the panel, providing perimeter security with a subtle stylishness.

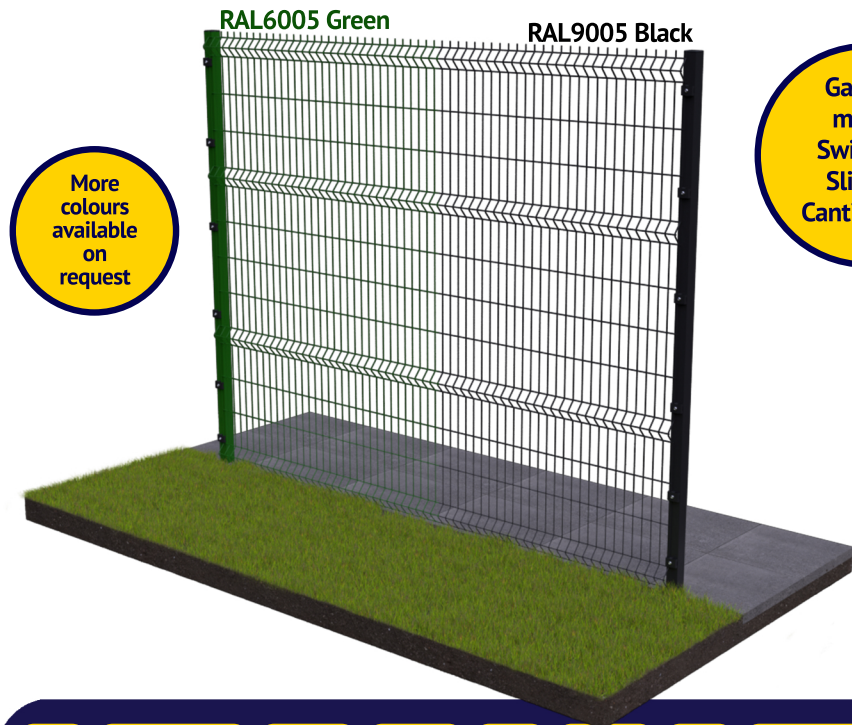
Manufactured from 5 mm thick steel wire, fully welded at each intersection with 200\*50mm aperture, making it difficult to climb, whilst retaining an open mesh profile for enhanced visibility along fence line.

## Resista Mesh installation and features:

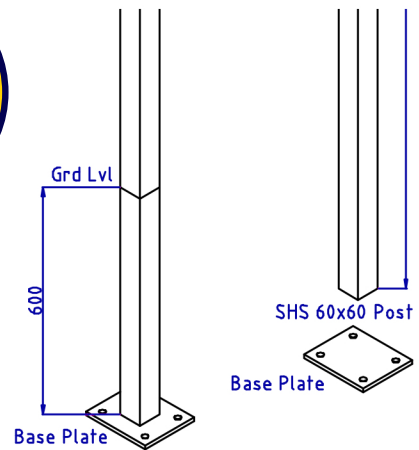
The panels are mounted on RHS posts with the JNC fixing system, meaning easy and rapid installation of the panels is achieved.

Finished with a polyester powder coating over a galvanised wire substrate with profiled horizontal sections to the front of the panel, which significantly increases the rigidity of the fence providing an attractive, robust and resilient barrier.

Being a modular fencing system, individual damaged panels can be easily replaced without the need to review the whole fence.



Gates to match:  
Swinging,  
Sliding,  
Cantilevered



Baseplated and dig in hole options available in multiple sizes as required.

Fence Height	Post Intermediates & Corners	Panel Width	Horizontal Wire	Vertical Wire	Mesh Centres	V Beams	Security Fixings & Nut Inserts	Qty Bracket Double for Corners	Concrete Base	Post C/C	Factory Post Stepping
1.23m	60*60*1700m	3010mm	5mm	5mm	200*50	2	M8+ Type 1Bracket	3	400*400*500	3030mm	150mm
1.73m	60*60*2400mm	3010mm	5mm	5mm	200*50	3	M8+ Type 1Bracket	5	450*450*525	3030mm	150mm
2.03m	60*60*2600mm	3010mm	5mm	5mm	200*50	3	M8+ Type 1Bracket	5	450*450*525	3030mm	150mm
2.33m	60*60*3000mm	3010mm	5mm	5mm	200*50	3	M8+ Type 1Bracket	5	450*450*525	3030mm	150mm
2.43m	60*60*3000mm	3010mm	5mm	5mm	200*50	4	M8+ Type 1Bracket	6	450*450*600	3030mm	150mm