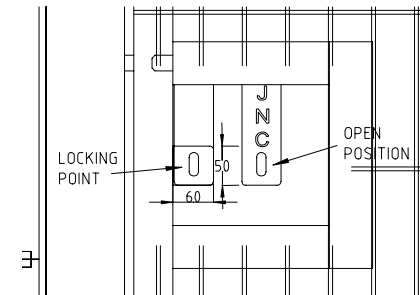
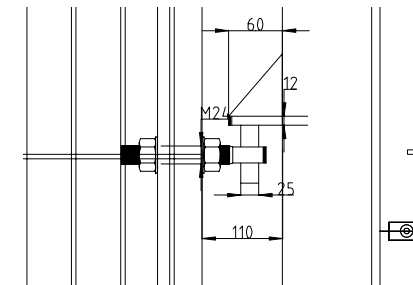
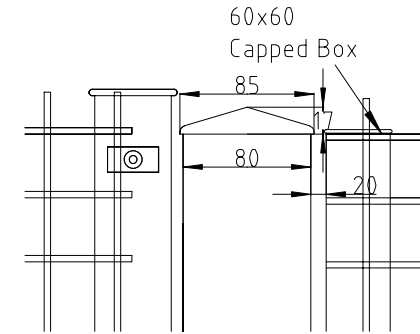
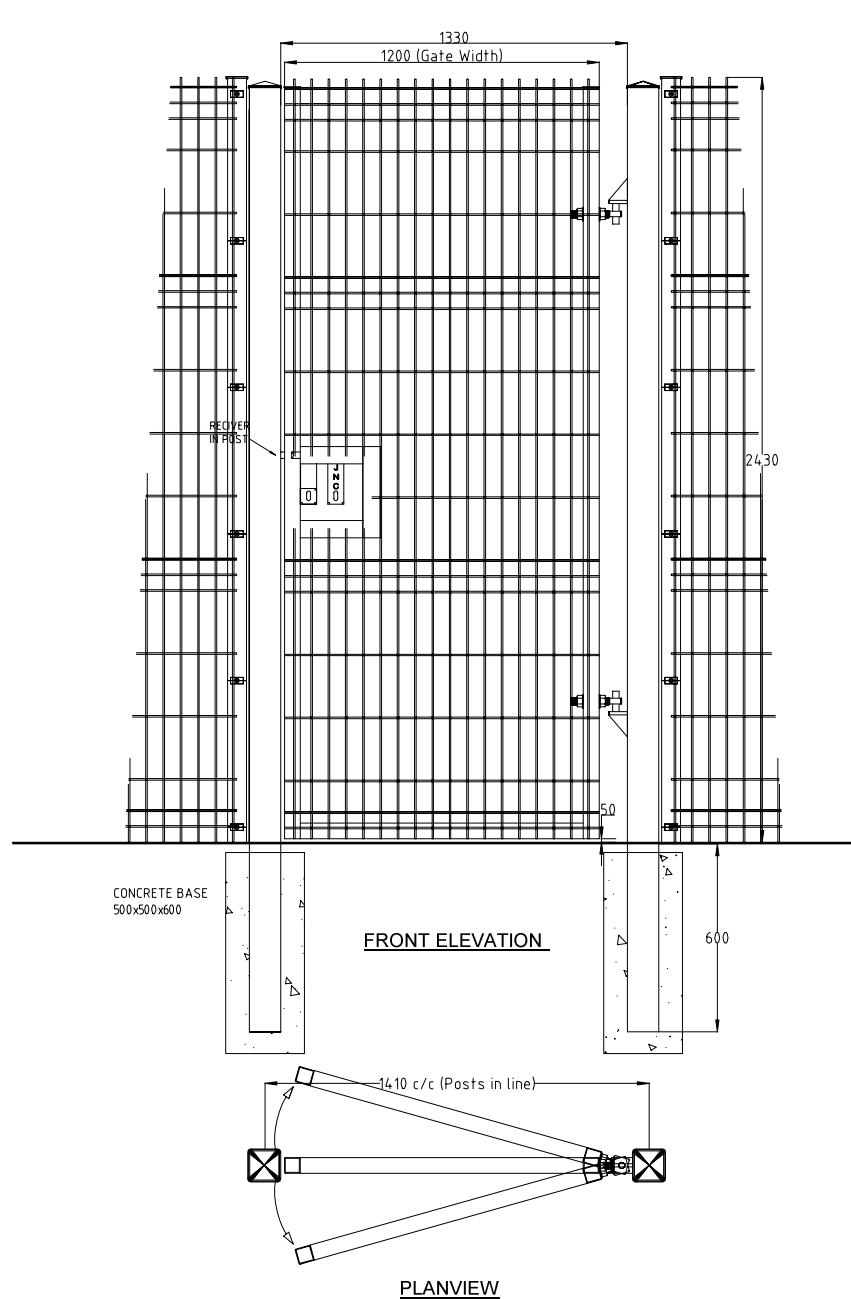
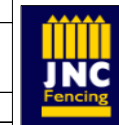


**IMPORTANT:** NOTE. SAMPLE DRAWING ONLY ACTUAL DIMENSION MAY CHANGE. **DO NOT SCALE**

### JNC RESISTA MESH 1.2 S.L R GATE



Drawing Title: JNC RESISTA 1.2M W: 2.4M H S.L RIGHT HANGING GATE		
Project/Client: SAMPLE DRAWING		
Drawing/Doc.No: Ref. No. MPG-R-04/ (*)		
Date: 18/07/16	By: JD	App: JNC FENCING



**J.N.CUMMINS & Co.LTD**  
Industrial Fencing Contractors  
Supply / Supply and Erection  
Mayfield, Cashel, Co Tipperary  
Tel: 00353 62 62214 Fax: 00353 62 62947  
e-Mail info@jncfence.com  
www.jncfence.com

**NOTE.** 2.4 M High fence shown