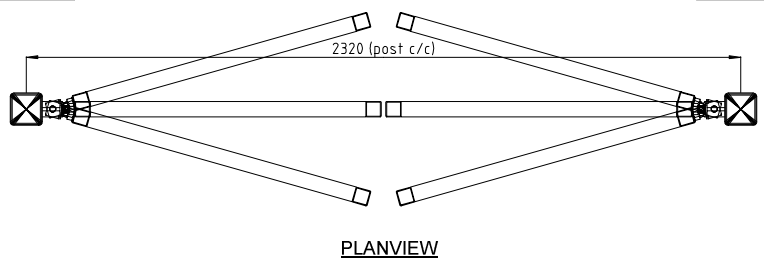
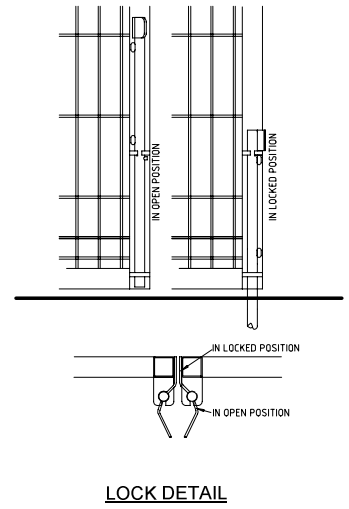
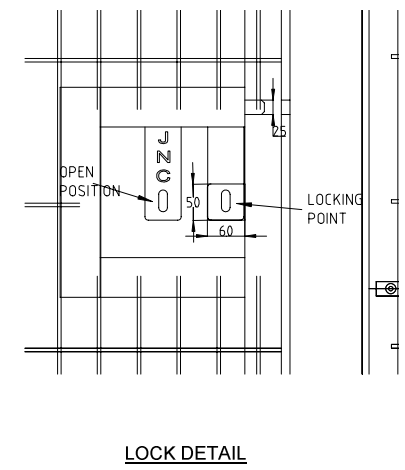
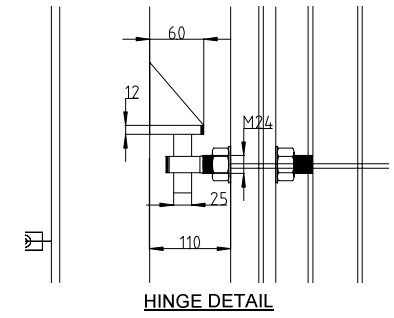
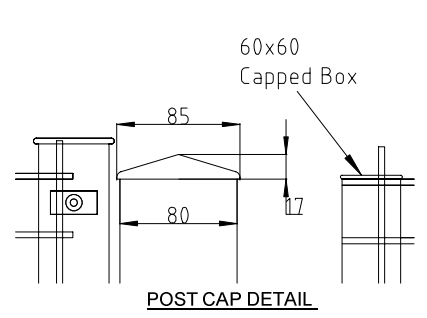
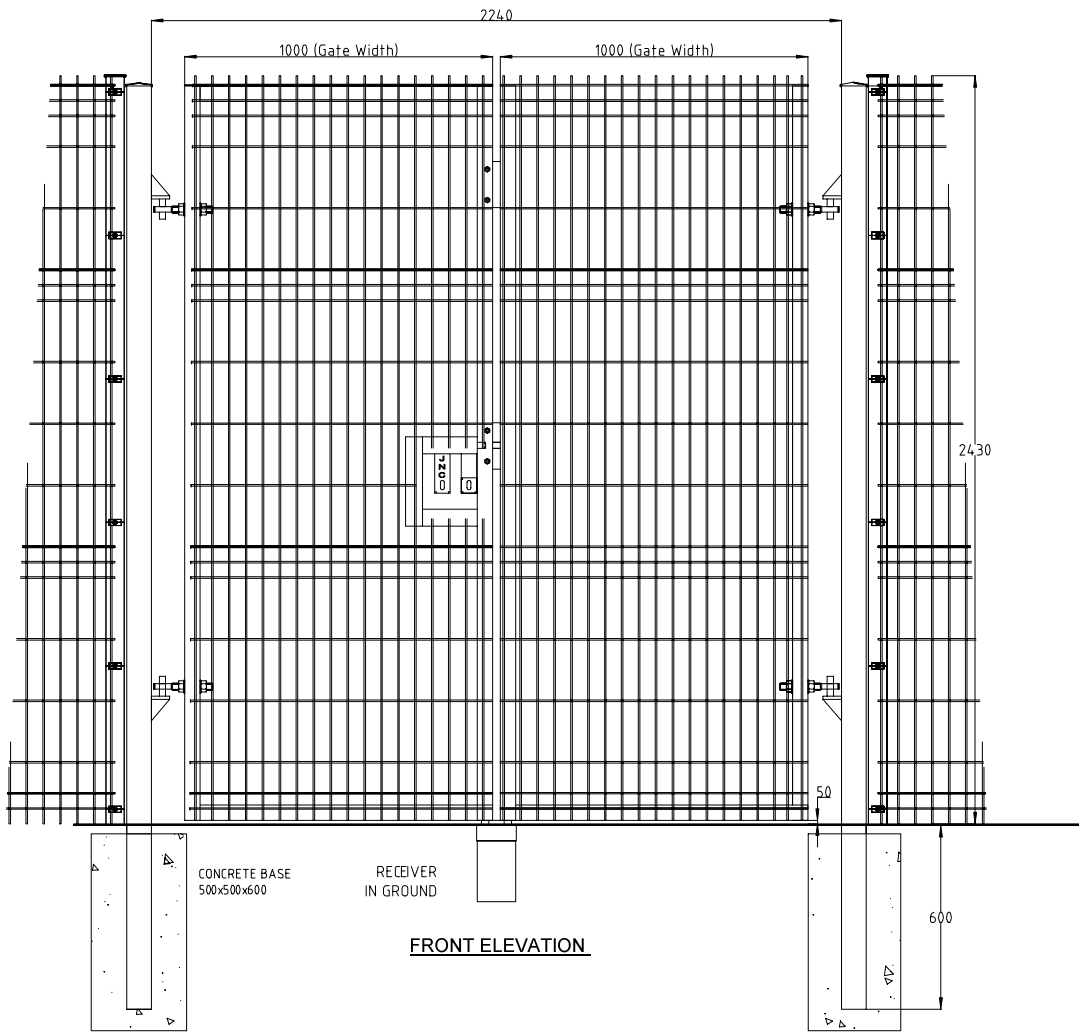




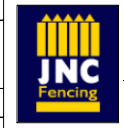
IMPORTANT: NOTE. SAMPLE DRAWING ONLY ACTUAL DIMENSION MAY CHANGE. **DO NOT SCALE**

JNC RESISTA MESH 2M D.L GATE



NOTE. 2.4 M High fence shown

| | | |
|--|--------|------------------|
| Drawing Title: JNC RESISTA 2M W: 2.4M H D.L HANGING GATE | | |
| Project/ Client: SAMPLE DRAWING | | |
| Drawing/Doc.No: Ref. No. MPG-R-04/ (*) | | |
| Date: 18/07/16 | By: JD | App: JNC FENCING |



J.N.CUMMINS & Co.LTD
 Industrial Fencing Contractors
 Supply / Supply and Erection
 Mayfield, Cashel, Co Tipperary
 Tel: 00353 62 62214 Fax: 00353 62 62947
 e-Mail info@jncfence.com
 www.jncfence.com