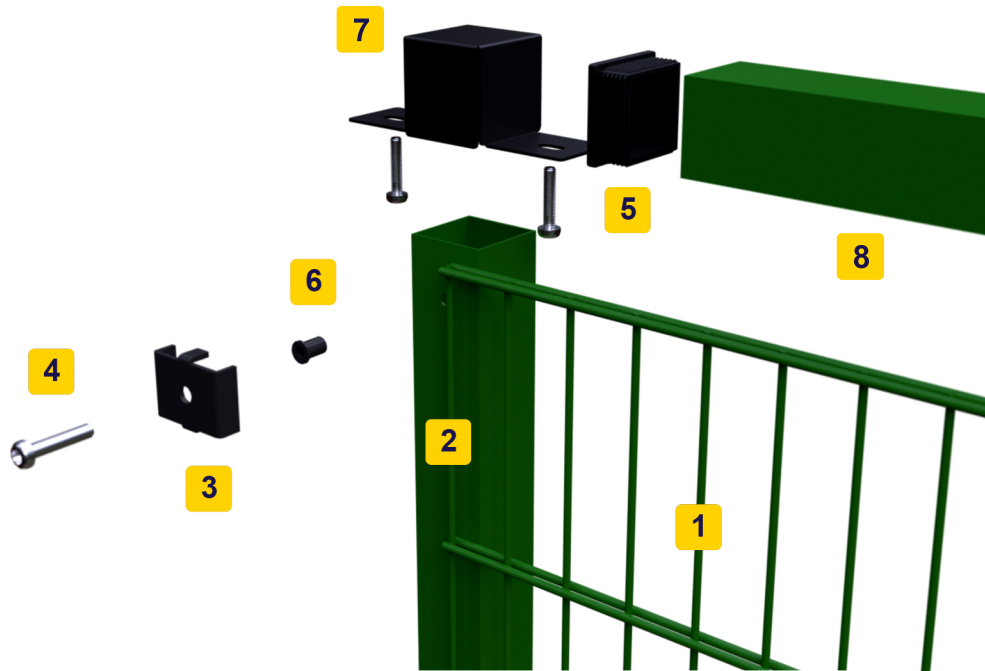


Spectator 656

For areas with little to no impact.



- 1 Steel welded mesh security fence panel.
- 2 Galvanised steel fence post factory drilled to suit mesh apertures.
- 3 Galvanised and PPC (Ral 9005 as standard) JNC Type 1 security bracket.
- 4 M8* 40mm Stainless Steel security Bolt Max Torque 19 Nm.
- 5 Ribbed heavy duty post cap (Ral 9005 as standard).
- 6 M8 factory fitted threaded insert.
- 7 Galvanised steel top hat (Ral 9005 as standard).
- 8 Galvanised steel top rail factory drilled to suit mesh apertures.

Spectator 656 features:

- EN-ISO 10244-2:2009 (Commercial Galvanised Class D)
- EN-ISO 13438:2013 (Powder coating)
- BS1722-14:2006 (Fencing)
- Security Level : Category 1



*subject to T&Cs of maintenance

The JNC Spectator Surround 656 for field, playground, playschool and court sports areas.

With a typical height of 1.20 metre's JNC Spectator 656 offers a competitively priced alternative and specified panel installed to a comfortable viewing height.

Spectator 656 installation and features:

With the unique and in house designed JNC Top Rail & Capping system you have a fence that is safe, practical, low maintenance, secure and it will serve your purpose for years to come.

We can offer you the option of powder coating in your club colours and a full gate range is available to match.

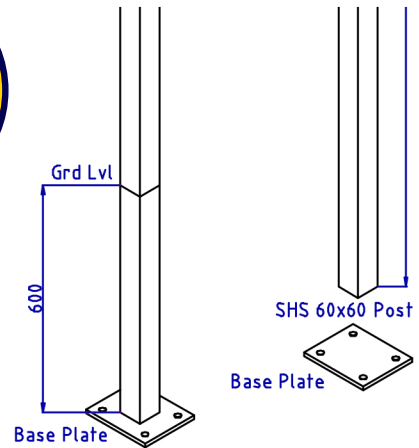
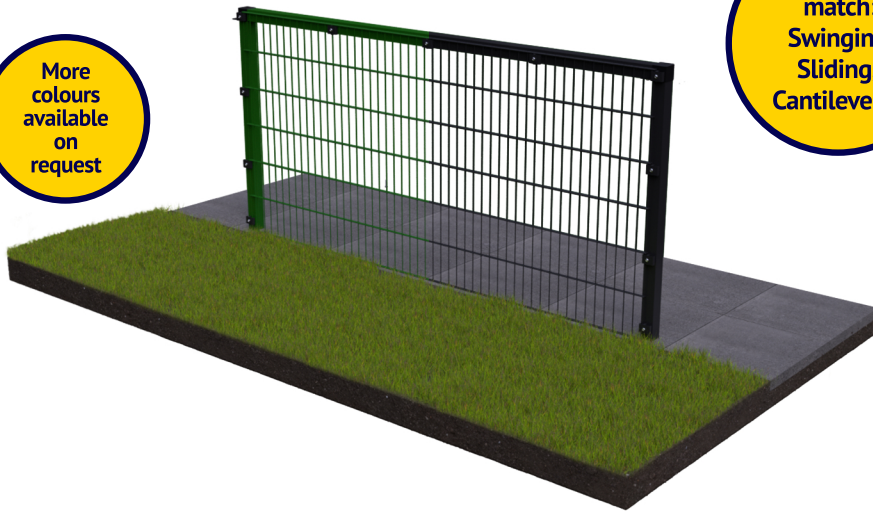
Panel has no overhang specifically for safety. Base plated posts are also an option.

RAL6005 Green

RAL9005 Black

More colours available on request

Gates to match: Swinging, Sliding, Cantilevered



Baseplated and dig in hole options available in multiple sizes as required.

Fence height	Top Rail	Panel Width	Horizontal Wire x2	Vertical Wire	Mesh Centres	V Beams	Security Fixings & Nut Inserts	Qty Bracket & Bolts	Concrete Base	Post C/C	Post Intermediates & Corners
1.20m	60*60*2454mm	2510mm	6mm	5mm	200*50	0	M8+ Type 1 Bracket	11 & 13	400*400*500	2530mm	60*60*1800mm