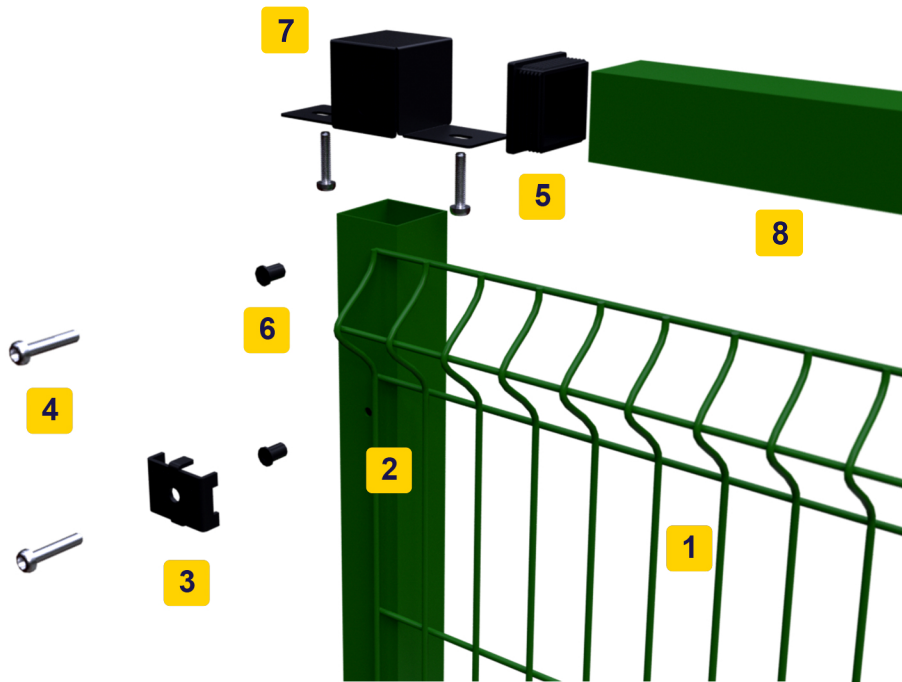


Spectator Resista

For areas with little or no impact.



- 1** Steel welded mesh security fence panel.
- 2** Galvanised steel fence post factory drilled to suit mesh apertures.
- 3** Galvanised and PPC (Ral 9005 as standard) JNC Type 1 security bracket.
- 4** M8* 40mm Stainless Steel security Bolt Max Torque 19 Nm.
- 5** Ribbed heavy duty post cap (Ral 9005 as standard).
- 6** M8 factory fitted threaded insert.
- 7** Galvanised steel top hat (Ral 9005 as standard).
- 8** Galvanised steel top rail factory drilled to suit mesh apertures.

Spectator Resista features:

- EN-ISO 10244-2:2009 (Commercial Galvanised Class D)
- EN-ISO 13438:2013 (Powder coating)
- BS1722-14:2006 (Fencing)
- **Security Level : Category 1**



*subject to T&Cs of maintenance

The JNC Spectator Surround Resista for field, playground, playschool and court sports areas.

With a typical height of 1.20 metre's JNC Resista offers a competitively priced alternative and specification installed to a comfortable viewing height.

Spectator Resista installation and features:

With the unique and in house designed JNC Top Rail & Capping system you have a fence that is safe, practical, low maintenance, secure and it will serve your purpose for years to come.

We can offer you the option of powder coating in your club colours and a full gate range is available to match. Baseplated posts are also an option. Galvanised Steel Top Hats are supplied on all layouts.

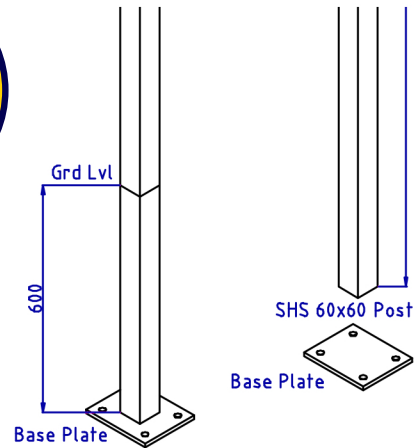
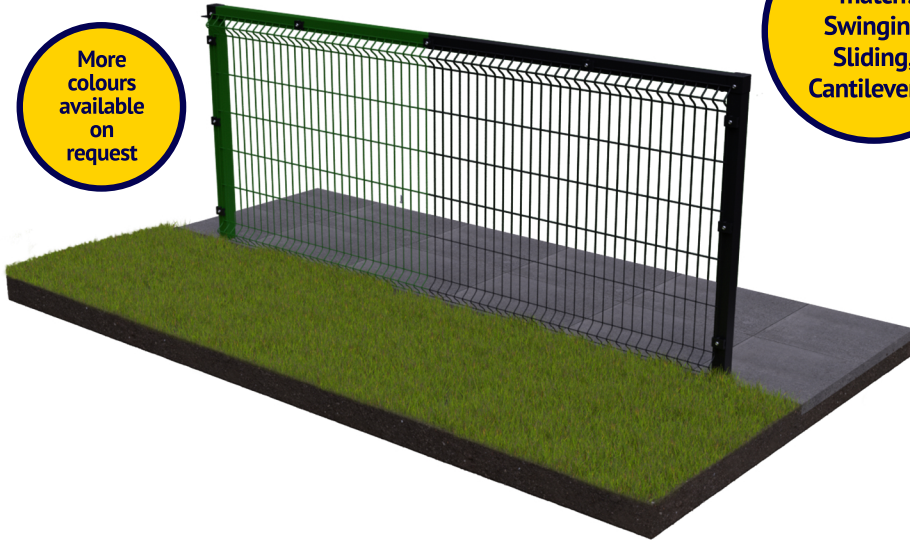
Panel has no overhang specifically for safety.

RAL6005 Green

RAL9005 Black

More colours available on request

Gates to match: Swinging, Sliding, Cantilevered



Baseplated and dig in hole options available in multiple sizes as required.

Fence height	Top Rail	Panel Width	Horizontal Wire	Vertical Wire	Mesh Centres	V Beams	Security Fixings & Nut Inserts	Qty Bracket Double for Corners	Concrete Base	Post C/C	Post Intermediates & Corners
1.20m	60*60*2955mm	3010mm	5mm	5mm	200*50	2	M8+ Type 1Bracket	9 & 3	400*400*500	3030mm	60*60*1800mm