

Supreme

High security where strength and appearance is required.



- 1 Steel welded mesh security fence panel.
- 2 Galvanised steel fence post factory drilled to suit mesh apertures and step.
- 3 Galvanised and PPC (Ral 9005 as standard) JNC Type1 security bracket.
- 4 M8* 40mm Stainless Steel security Bolt Max Torque 19 Nm.
- 5 Ribbed heavy duty post cap (Ral 9005 as standard).
- 6 M8 factory fitted threaded insert.

Supreme features:

- EN-ISO 10244-2:2009 (Commercial Galvanised Class D)
- EN-ISO 13438:2013 (Powder coating)
- BS1722-14:2006 (Fencing)
- **Security Level : Category 1, 2 (height dependent)**



*subject to T&Cs of maintenance

JNC Supreme provides the ideal choice when a visually attractive, yet substantial fencing material is required. Wherever extreme security is a priority, this system with its close mesh profile offers a cost effective solution.

This rigid, robust, V beamed, resistant barrier is manufactured from 5mm vertical and 5mm horizontal steel wire with a 200*25mm mesh aperture, resistance welded at each intersection, which is difficult to penetrate and scale due to strength of the wire and the panel mesh configuration, hence an effective deterrent to would-be intruders.



Supreme installation and features:

The panels are mounted onto RHS posts with the JNC Type 1 fixing system or Clamp Bar . Panels can multi-lift and are fitted with a 150mm step and the addition of barbed wire or barbed tape, on either vertical or cranked extensions provide the ultimate in maximum perimeter security.

Finished with a polyester coating over a galvanised substrate giving a hard wearing and durable presentation for long life expectancy.

Panel has an overhang and can be inverted

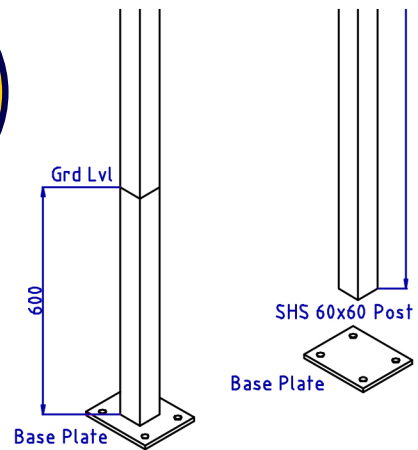
RAL6005 Green

RAL9005 Black

More colours available on request



Gates to match:
Swinging,
Sliding,
Cantilevered



Baseplated and dig in hole options available in multiple sizes as required.

Fence Height	Post Intermediates & Corners	Panel Width	Horizontal Wire	Vertical Wire	Mesh Centres	V Beams	Security Fixings & Nut Inserts	Qty Bracket Double for Corners	Concrete Base	Post C/C	Factory Post Stepping
1.23m	60*60*1700m	2510mm	5mm	5mm	200*25	2	M8+ Type 1Bracket U Bracket & Clamp Bar	3	400*400*500	2530mm	150mm
1.73m	60*60*2400mm	2510mm	5mm	5mm	200*25	3	M8+ Type 1Bracket U Bracket & Clamp Bar	5	450*450*525	2530mm	150mm
2.03m	60*60*2600mm	2510mm	5mm	5mm	200*25	3	M8+ Type 1Bracket U Bracket & Clamp Bar	5	450*450*525	2530mm	150mm
2.43m	60*60*3000mm	2510mm	5mm	5mm	200*25	4	M8+ Type 1Bracket U Bracket & Clamp Bar	6	450*450*600	2530mm	150mm