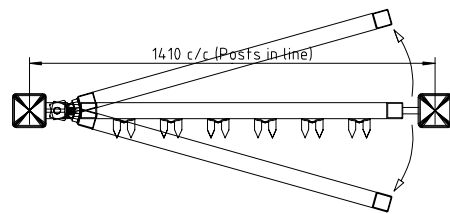
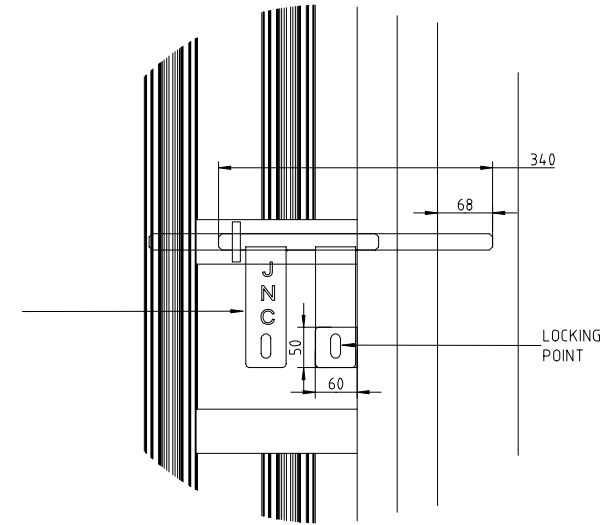


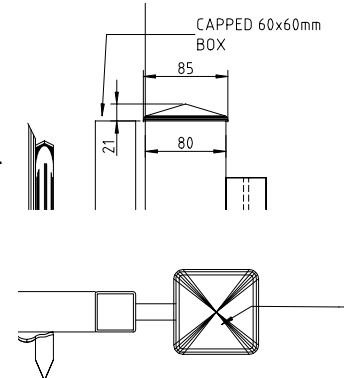
**FRONT ELEVATION**  
scale 1/25



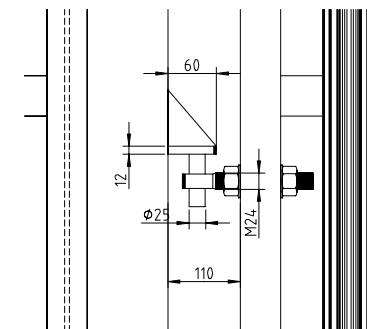
**PLANVIEW**  
scale 1/25



**LOCK DETAIL**  
scale 1/10



**POST CAP DETAIL**  
scale 1/10



**HINGE DETAIL**  
scale 1/10

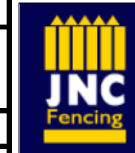
**NOTE.** OPTIONAL PALE TYPE'S AVAILABLE. See *fencing Drawing's Detail's*

Drawing Title: JNC Pal Gate H1.8 : W1.2M SLL  
FOR INFORMATION ONLY

Project/ Client: SAMPLE DRAWING

Drawing/Doc.No: Ref. No. -PG1

Date: 11/07/16 By: JD App: JNC FENCING



**J.N.CUMMINS & Co.LTD**  
Industrial Fencing Contractors  
Supply / Supply and Erection

Mayfield, Cashel, Co Tipperary  
Tel: 00353 62 62214 Fax: 00353 62 62947  
e-Mail info@jncfence.com  
www.jncfence.com