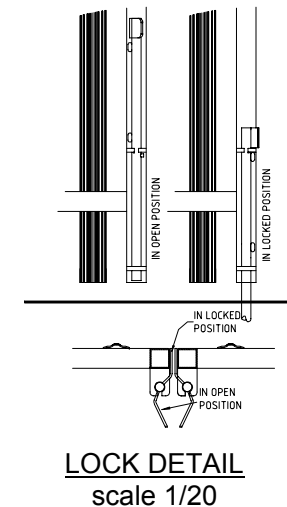
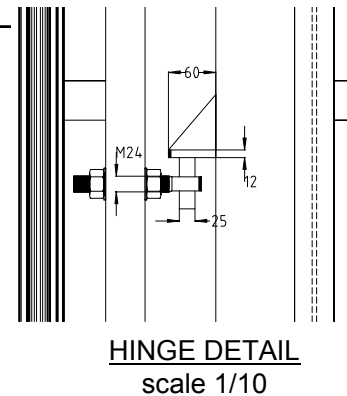
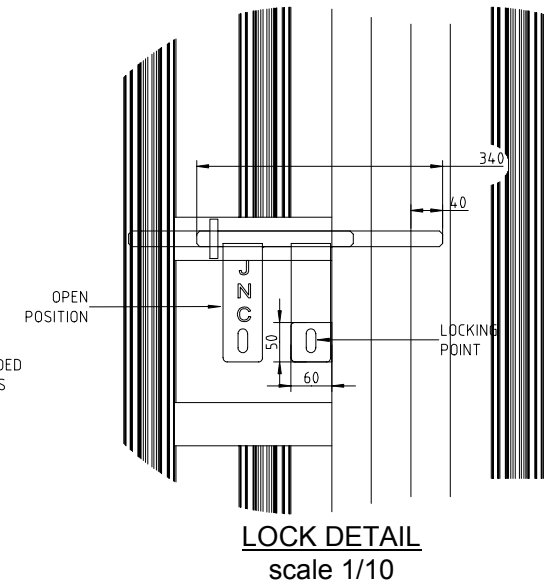
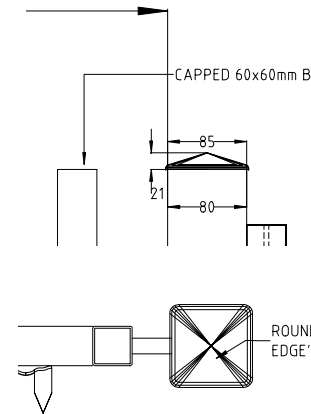
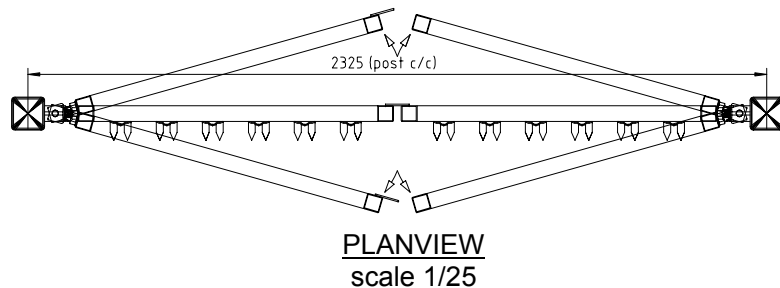
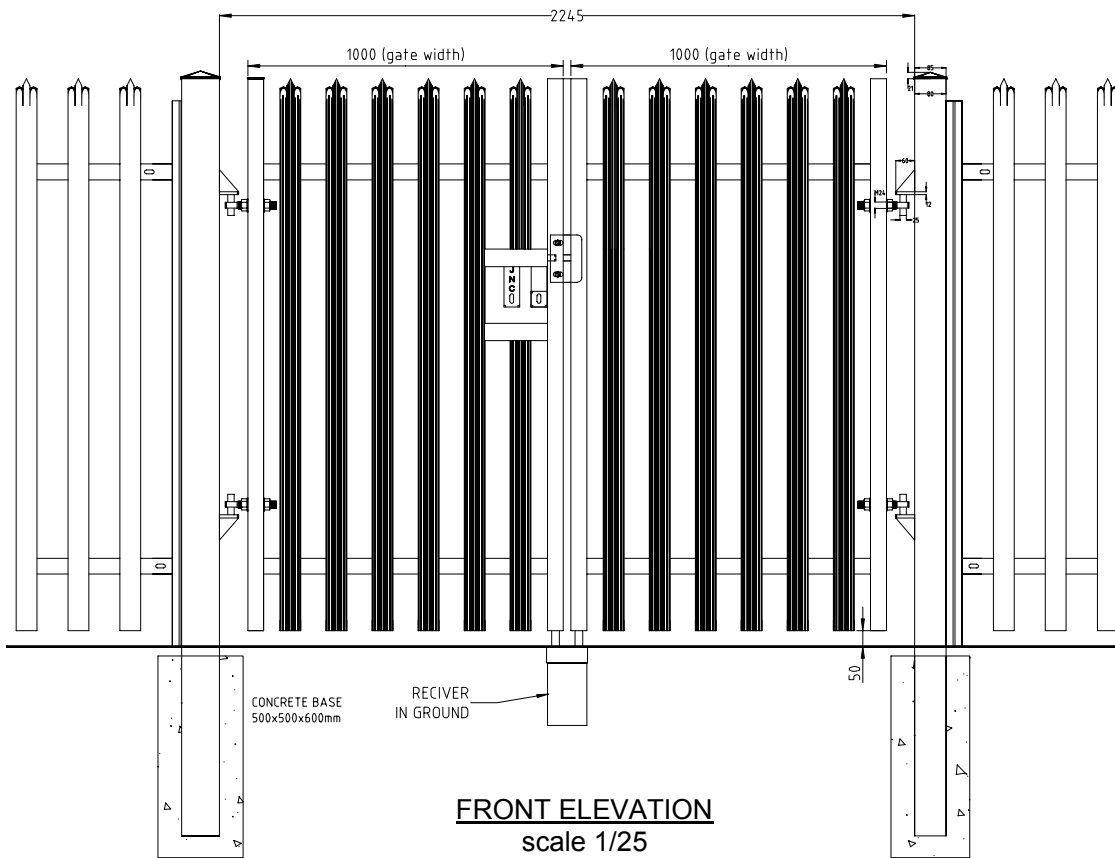




IMPORTANT: NOTE. SAMPLE DRAWING ONLY ACTUAL DIMENSION MAY CHANGE. **DO NOT SCALE**

Sheet Size -A4:



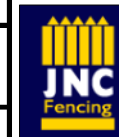
NOTE. OPTIONAL PALE TYPE'S AVAILABLE. See *fencing Drawing's Detail's*

Drawing Title: Typical JNC Pal Gate H1.8 : W2.0M
FOR INFORMATION ONLY

Project/
Client: SAMPLE DRAWING

Drawing/Doc.No: Ref. No. -PG2

Date: 11/07/16 By: JD App: JNC FENCING



J.N.CUMMINS & Co.LTD

Industrial Fencing Contractors
Supply / Supply and Erection

Mayfield, Cashel, Co Tipperary
Tel: 00353 62 62214 Fax: 00353 62 62947
e-Mail info@jncfence.com
www.jncfence.com