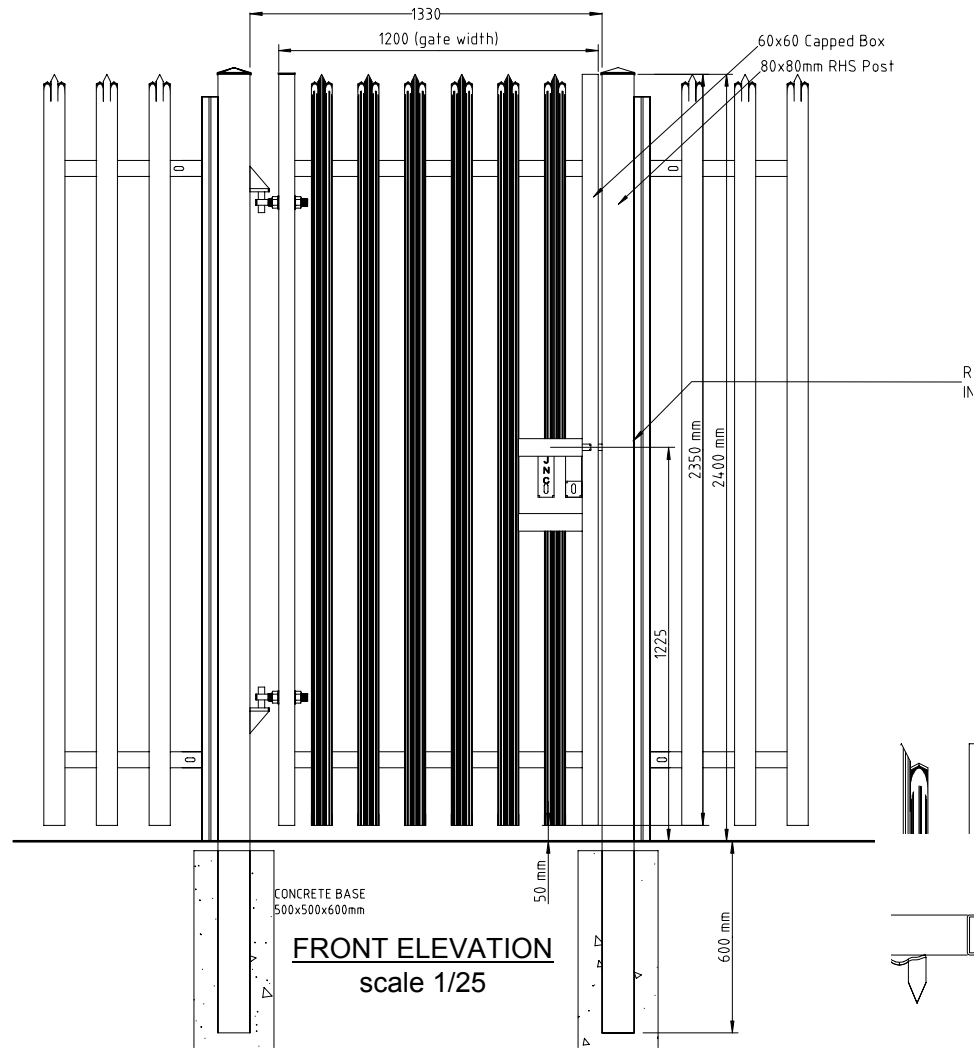
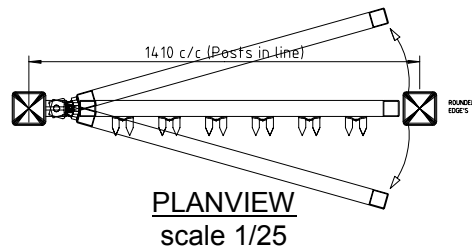


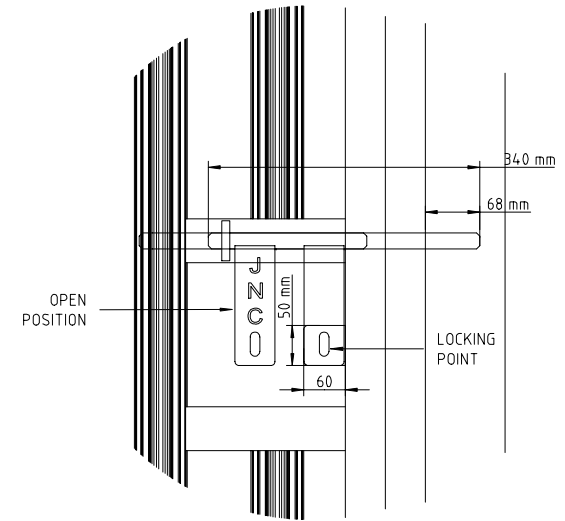
**IMPORTANT:** NOTE. SAMPLE DRAWING ONLY ACTUAL DIMENSION MAY CHANGE. **DO NOT SCALE**



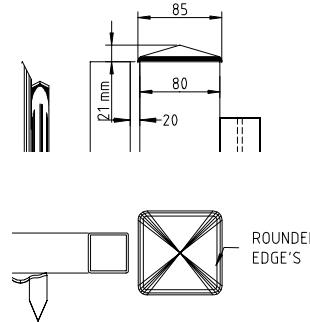
**FRONT ELEVATION**  
scale 1/25



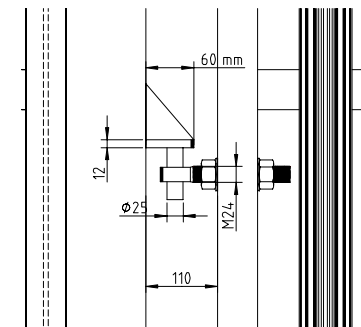
**PLANVIEW**  
scale 1/25



**LOCK DETAIL**  
scale 1/10

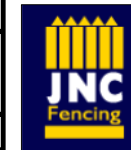


**POST CAP DETAIL**  
scale 1/10



**HINGE DETAIL**  
scale 1/10

Drawing Title: JNC Pal Gate H'2.4: W1.2M SLL FOR INFORMATION ONLY	
Project/Client:	SAMPLE DRAWING
Drawing/Doc.No: Ref. No. -PG11	
Date: 07/07/16	By: JD App: JNC FENCING



**J.N.CUMMINS & Co.LTD**  
Industrial Fencing Contractors  
Supply / Supply and Erection  
Mayfield, Cashel, Co Tipperary  
Tel: 00353 62 62214 Fax: 00353 62 62947  
e-Mail info@jncfence.com  
www.jncfence.com

**NOTE.** OPTIONAL PALE TYPE'S AVAILABLE. See fencing Drawing's Detail's