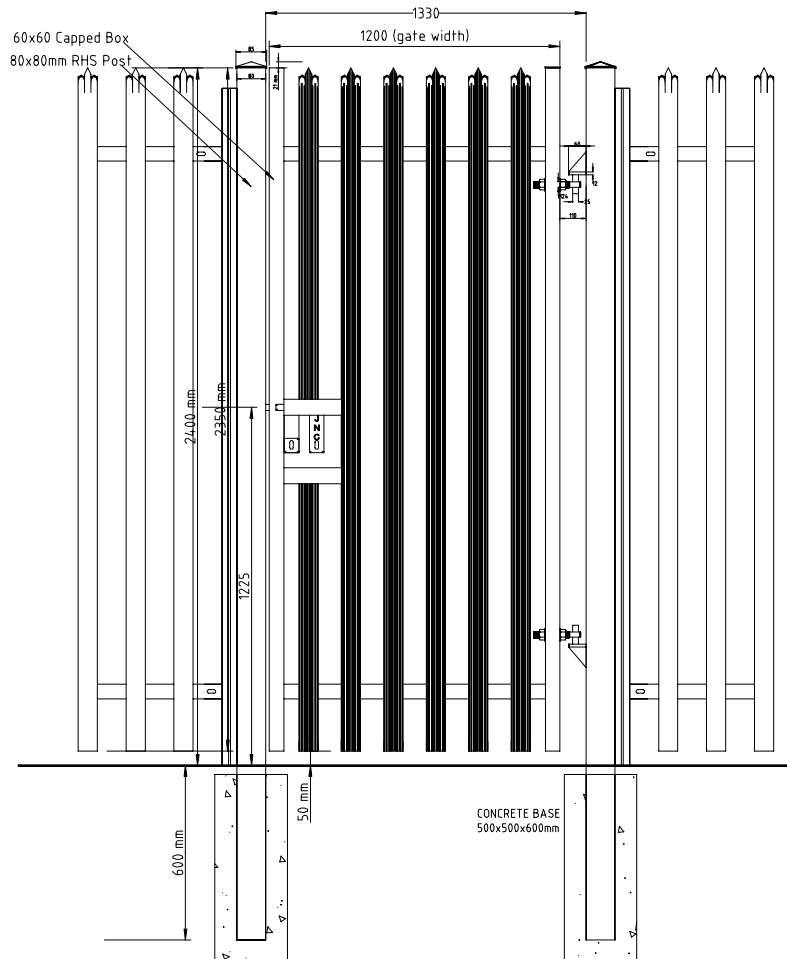


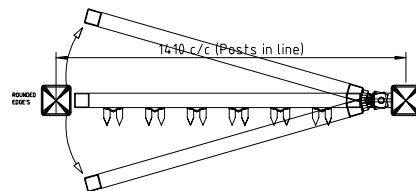


IMPORTANT: NOTE. SAMPLE DRAWING ONLY ACTUAL DIMENSION MAY CHANGE. **DO NOT SCALE**

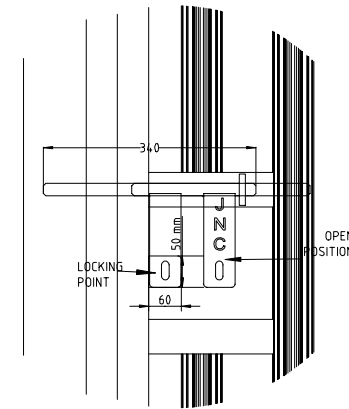
Sheet Size -A4-



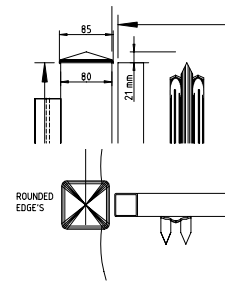
FRONT ELEVATION
scale 1/25



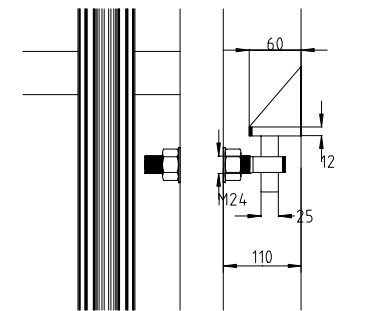
PLANVIEW
scale 1/25



LOCK DETAIL
scale 1/10



POST CAP DETAIL
scale 1/10



HINGE DETAIL
scale 1/10

NOTE. OPTIONAL PALE TYPE'S AVAILABLE. See *fencing Drawing's Detail's*

Drawing Title: JNC Pal Gate H'2.4 : W1.2MSLR FOR INFORMATION ONLY		
Project/ Client:	SAMPLE DRAWING	
Drawing/Doc.No:	Ref. No. -PG11	
Date: 07/07/16	By: JD	App: JNC FENCING



J.N.CUMMINS & Co.LTD
 Industrial Fencing Contractors
 Supply / Supply and Erection
 Mayfield, Cashel, Co Tipperary
 Tel: 00353 62 62214 Fax: 00353 62 62947
 e-Mail info@jncfence.com
 www.jncfence.com