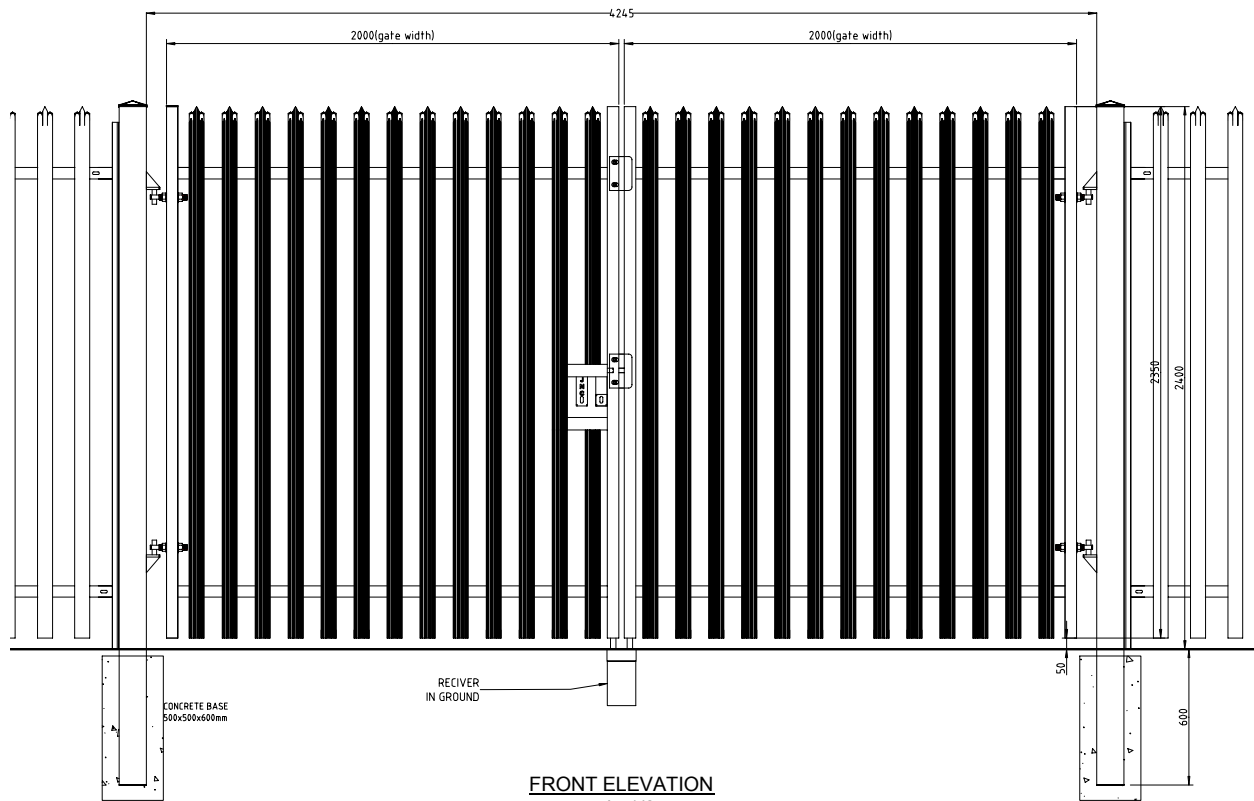


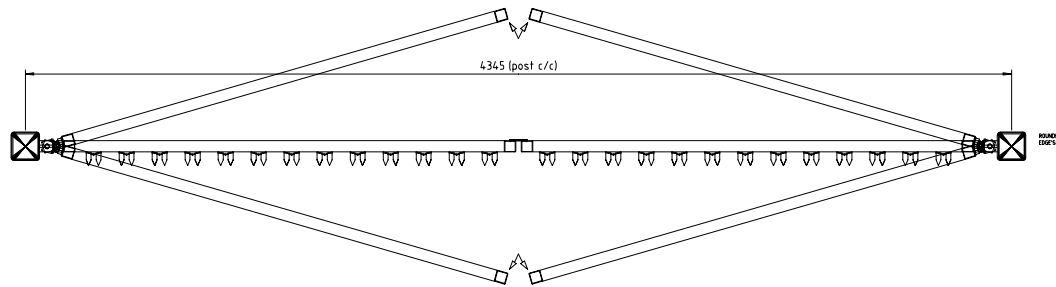


IMPORTANT: NOTE. SAMPLE DRAWING ONLY ACTUAL DIMENSION MAY CHANGE. **DO NOT SCALE**

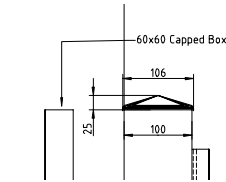
Sheet Size -A3-



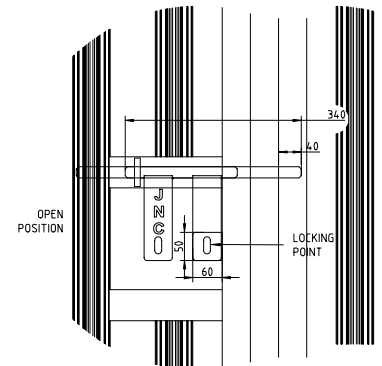
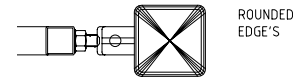
FRONT ELEVATION
scale 1/25



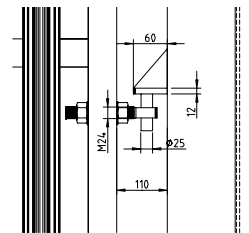
PLANVIEW
scale 1/25



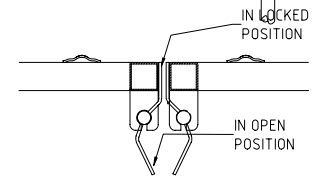
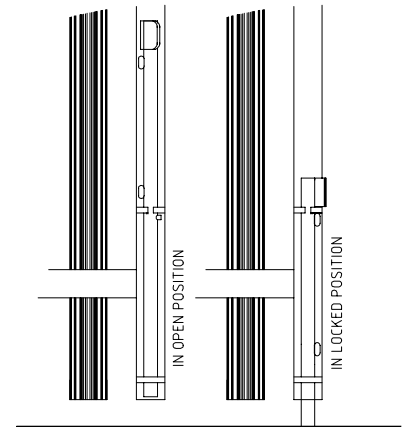
POST CAP DETAIL
scale 1/10



LOCK DETAIL
scale 1/10



HINGE DETAIL
scale 1/10



LOCK DETAIL
scale 1/10

NOTE. OPTIONAL PALE TYPE'S AVAILABLE. See *fencing Drawing's Detail's*

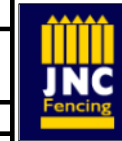
Drawing Title: Typical JNC Pal Gate H2.4 : W4.0M
FOR INFORMATION ONLY

Project / Client: SAMPLE DRAWING

Drawing/Doc No: Ref. No. -PG14

Date: 07/07/16 By: JD

App: JNC FENCING



J.N.CUMMINS & Co.LTD
Industrial Fencing Contractors
Supply / Supply and Erection

Mayfield, Cashel, Co Tipperary
Tel: 00353 62 62214 Fax: 00353 62 62947
e-Mail info@jncfence.com
www.jncfence.com