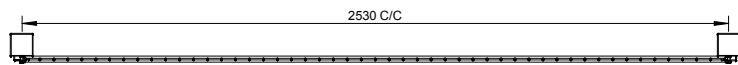
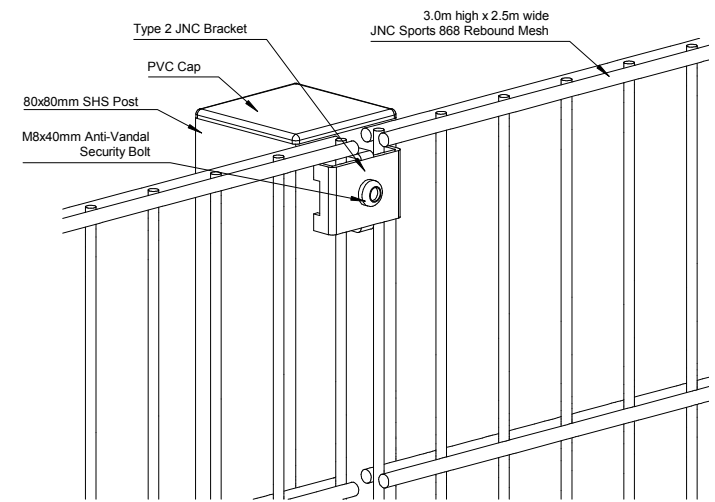


Front Elevation

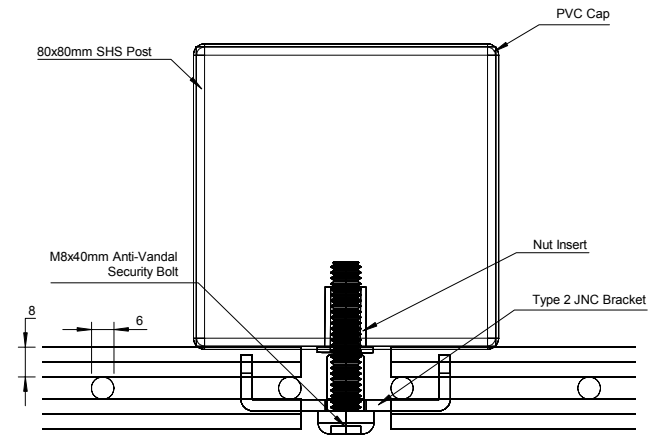
End Elevation



Plan



Post Detail - Isometric View



Post Detail - Plan View

**IMPORTANT: NOTE SAMPLE DRAWING ONLY.  
ACTUAL DIMENSIONS MAY CHANGE. DO NOT SCALE.**

Drawing Title: 3.0m High JNC Sports 868 Rebound Mesh Fence			
Project/Client: Sample Drawing - For Information Only			
Drawing/Doc. No: Sample Drawing - For Information Only			
Date: August 2017	By: JD	Sheet Size: A3	Approved: JNC



**J.N. Cummins & Co. LTD**  
**Industrial Fencing Contractors**  
**Supply / Supply and Install**  
Mayfield, Cashel. Co. Tipperary  
Tel: +353 (0) 62 62214 Fax: +353 (0) 62 62947  
Email: info@jncfence.com  
www.jncfence.com